

Архангельск (8182)63-90-72
 Астана (7172)727-132
 Астрахань (8512)99-46-04
 Барнаул (3852)73-04-60
 Белгород (4722)40-23-64
 Брянск (4832)59-03-52
 Владивосток (423)249-28-31
 Волгоград (844)278-03-48
 Вологда (8172)26-41-59
 Воронеж (473)204-51-73
 Екатеринбург (343)384-55-89
 Иваново (4932)77-34-06

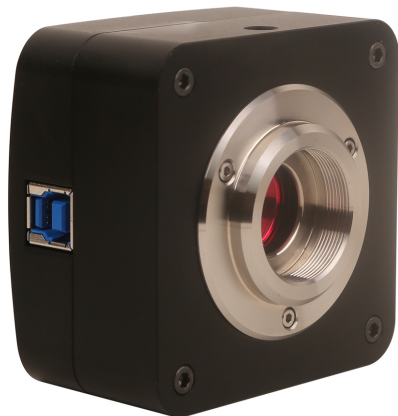
Ижевск (3412)26-03-58
 Иркутск (395)279-98-46
 Казань (843)206-01-48
 Калининград (4012)72-03-81
 Калуга (4842)92-23-67
 Кемерово (3842)65-04-62
 Киров (8332)68-02-04
 Краснодар (861)203-40-90
 Красноярск (391)204-63-61
 Курск (4712)77-13-04
 Липецк (4742)52-20-81
 Киргизия (996)312-96-26-47

Магнитогорск (3519)55-03-13
 Москва (495)268-04-70
 Мурманск (8152)59-64-93
 Набережные Челны (8552)20-53-41
 Нижний Новгород (831)429-08-12
 Новокузнецк (3843)20-46-81
 Новосибирск (383)227-86-73
 Омск (3812)21-46-40
 Орел (4862)44-53-42
 Оренбург (3532)37-68-04
 Пенза (8412)22-31-16
 Россия (495)268-04-70

Пермь (342)205-81-47
 Ростов-на-Дону (863)308-18-15
 Рязань (4912)46-61-64
 Самара (846)206-03-16
 Санкт-Петербург (812)309-46-40
 Саратов (845)249-38-78
 Севастополь (8692)22-31-93
 Симферополь (3652)67-13-56
 Смоленск (4812)29-41-54
 Сочи (862)225-72-31
 Ставрополь (8652)20-65-13
 Казахстан (772)734-952-31

Сургут (3462)77-98-35
 Тверь (4822)63-31-35
 Томск (3822)98-41-53
 Тула (4872)74-02-29
 Тюмень (3452)66-21-18
 Ульяновск (8422)24-23-59
 Уфа (347)229-48-12
 Хабаровск (4212)92-98-04
 Челябинск (351)202-03-61
 Череповец (8202)49-02-64
 Ярославль (4852)69-52-93

<https://toupstek.nt-rt.ru/> || tuo@nt-rt.ru



E3CMOS Series C-mount USB3.0 CMOS Camera

SONY Exmor Back-illuminated CMOS sensor with USB3.0 interface;

Real-time 8/12/14/16bit depth switch(depending on sensor);

Super high sensitivity up to 1120mV(IMX185);

Ultra low noise and low power dissipation;

With hardware resolution among 0.4M to 45M;

With advanced video & image processing application ToupView;

Windows/Linux/macOS/Android multiple platform SDK;

Specification

E3CMOS Series C-mount USB3.0 CMOS Camera(20)

ToupTek E3CMOS camera adopt SONY Exmor CMOS sensor as the image-picking device and USB3.0 is used as the data transfer interface.

E3CMOS camera use the latest Sony Exmor sensor which have the highest sensitivity and lowest noise with the help of 2 CDS(correlated double sampling) procedure. This feature guarantee that the E3CMOS camera is perfect for fluorescence microscope application, astronomy application and other dark field application, as well as the bright field application.

E3CMOS camera's resolutions range from 0.4M to 45M and come with the integrated CNC aluminum alloy compact housing.

E3CMOS camera comes with advanced video & image processing application ToupView; Providing Windows/Linux/macOS/Android multiple platform SDK(Native C/C++, C#/VB.NET, Python, Java, DirectShow, Twain, etc);

E3CMOS camera can be used to replace the traditional CCD camera to some extent since its unique features, including high sensitivity, low noise, and group shutter (only some sensor has group shutter). Thanks to USB3.0, the frame rate is fast and 8bit/12bit/14bit data transfer can be available and switchable.

Order Code	Sensor & Size(mm)	Pixel(μm)	G Sensitivity Dark Signal	FPS/Resolution	Binning	Exposure

E3CMOS45000KMA EM145000A	45M/IMX492(M) 4/3" (19.11x13.00)	2.315x2.315	176mv with 1/30s 0.03mv with 1/30s	8.1@8176x5616 30.0@4080x2808 8.1@7408x5556 33.0@3696x2778 10.4@8176x4320 34.7@4096x2160 62.5@2048x1080 86.5@1360x720	1x1(3:2) 2x2(3:2) 1x1(4:3) 2x2(4:3) 1x1(17:9) 2x2(17:9) 3x3(17:9) 4x4(17:9)	0.1ms-15s
E3CMOS20000KMA EM120000A(New)	20M/IMX183(M) 1 "(13.06x8.76)	2.4 x2.4	776mv with 1/30s 0.21mv with 1/30s	17.5@5440x3648 40@4080x2160 48@2736x1824 60@1824x1216	1x1 1x1 2x2 3x3	0.1ms-60s
E3CMOS20000KPB EP120000B(New)	20M/IMX147(C) 1/2.1 "(6.24x4.67)	1.2 x1.2	130mv with 1/30s 0.1mv with 1/30s	5.2@5200x3888 15@2592x1944 30@1728x1296	1x1 2x2 3x3	0.1ms-15s
E3CMOS12300KMA EM112300A(New)	12.3M/IMX304(M) 1.1 "(14.13x10.35)	3.45 x3.45	1146mv with 1/30s 0.1mv with 1/30s	23.4@4096x3000 46.3@2048x1500	1x1 1x1	0.244ms-15s
E3CMOS12000KPA EP112000A	12M/IMX226(C) 1/1.7"(7.40x5.55)	1.85x1.85	280mv with 1/30s 0.1mv with 1/30s	7.1@4000x3000 30@2048x1080	1x1 2x2	0.244ms-2000ms
E3CMOS06300KPA EP106300A	6.3M/IMX178(C) 1/1.8" (7.37x4.92)	2.4x2.4	425mv with 1/30s 0.15mv with 1/30s	15@3072 x2048 26@1536x 1024	1x1 2x2	0.244ms-2000ms
E3CMOS06300KMA EM106300A	6.3M/IMX178(M) 1/1.8" (7.37x4.92)	2.4x2.4	425mv with 1/30s 0.15mv with 1/30s	30@3072 x2048 50@1536x 1024	1x1 2x2	0.244ms-2000ms
E3CMOS05000KMA EM105000A	5.0M/IMX264(M,GS) 2/3" (8.45x7.07)	3.45x3.45	1830mv with 1/30s 0.15mv with 1/30s	35@2448x2048 60@1224x1024	1x1 2x2	0.1ms-60s
E3CMOS03100KPB EP103100B	3.1M/IMX123(C) 1/2.8" (5.12x3.84)	2.5x2.5	600mv with 1/30s 0.15mv with 1/30s	25@2048x1536 30@1920x1080	1x1	0.244ms-2000ms
E3CMOS03100KMC EM103100C	3.1M/IMX265(M,GS) 1/1.8" (7.07x5.30)	3.45x3.45	1146mv with 1/30s 0.15mv with 1/30s	53@2048x1536 85@1024x768	1x1 1x1	0.1ms-15s
E3CMOS02300KPA EP102300A	2.3M/IMX185(C) 1/1.9" (7.20x4.50)	3.75x3.75	1120mv with 1/30s 0.15mv with 1/30s	38@1920x1200 66@960x600	1x1 2x2	0.244ms-2000ms
E3CMOS02300KPB EP102300B	2.3M/IMX249(C,GS) 1/1.2" (11.25x7.03)	5.86x5.86	1016mv with 1/30s 0.15mv with 1/30s	30@1920x1200	1x1	0.244ms-2000ms
E3CMOS02300KMC EM102300C	2.3M/IMX174(M,GS) 1/1.2" (11.25x7.03)	5.86x5.86	1016mv with 1/30s 0.15mv with 1/30s	120@1920x1200	1x1	0.244ms-2000ms
E3CMOS01500KMA EM101500A	1.5M/IMX273(M,GS) 1/2.9" (4.968x3.726)	3.45x3.45	915mv with 1/30s(F8.0) 0.15mv with 1/30s	228@1440x1080 530@720x540	1x1 2x2	0.1ms-60s
E3CMOS01200KPA EP101200A	1.2M/IMX224(C) 1/3"(4.80x3.60)	3.75 x3.75	2040mv with 1/30s 0.15mv with 1/30s	60@1280x960 120@640x480	1x1 2x2	0.105ms-15s
E3CMOS00400KPA EP100400A	0.4M/IMX287(C,GS) 1/2.9"(4.97x3.73)	6.9x6.9	4584mv with 1/30s 0.15mv with 1/30s	520@720x540	1x1	0.244ms-15s
E3CMOS00400KMA EM100400A	0.4M/IMX287(M,GS) 1/2.9"(4.97x3.73)	6.9x6.9	7469mv with 1/30s 0.15mv with 1/30s	520@720x540	1x1	0.244ms-15s
E3CMOS20000KPA EP120000A {Suspended}	20M/IMX183(C) 1 "(13.06x8.76)	2.4 x2.4	462mv with 1/30s 0.21mv with 1/30s	5.5@5440x3648 16@2736x1824 21@1824x1216	1x1 2x2 3x3	0.1ms-15s
E3CMOS05000KPA EP105000A {Suspended}	5.0M/IMX264(C,GS) 2/3" (8.45x7.07)	3.45x3.45	1146mv with 1/30s 0.15mv with 1/30s	15@2448x2048 51@1224x1024	1x1	0.1ms-60s
E3CMOS03100KPA EP103100A {Suspended}	3.1M/IMX036(C) 1/2.8" ((5.12x3.84)	2.5x2.5	200mv with 1/30s 0.5mv with 1/30s	28@2048x1536 28@1024x768	1x1 2x2	0.244ms-2000ms

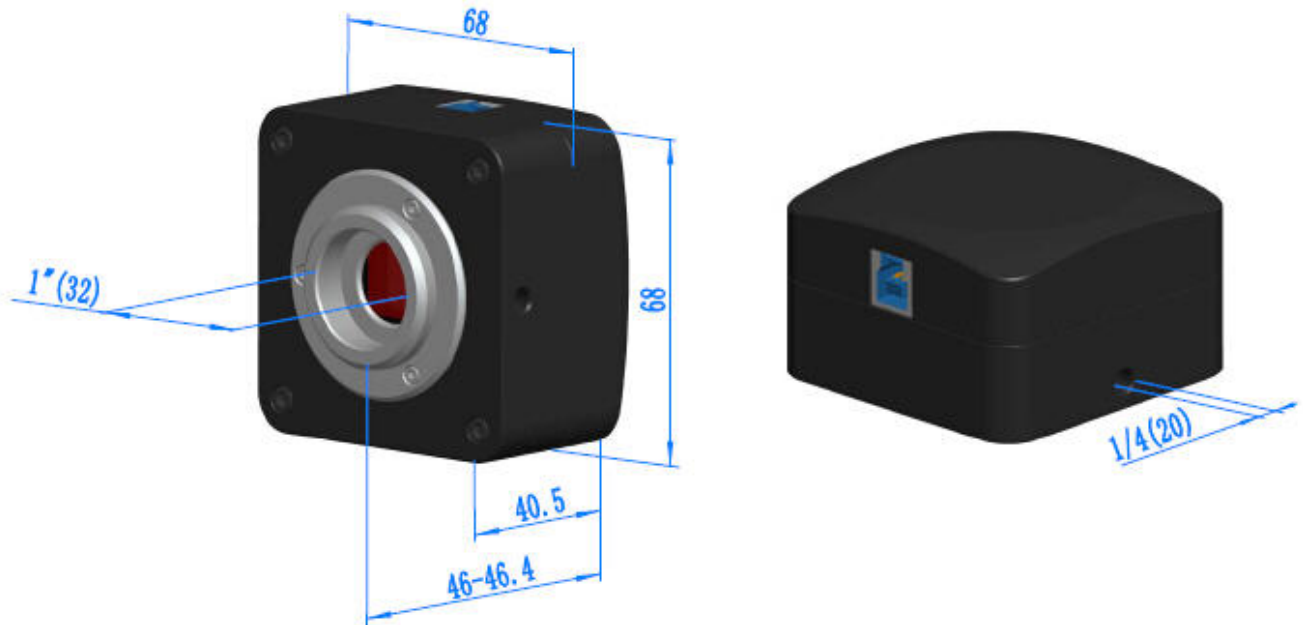
For the suspended models , Customer can choose the corresponding E3ISPM models for the fast speed and high performance.

OTHER HARDWARE CONFIGURATION	
Spectral Range	380-650nm (with IR-filter), for Monochromatic Camera, AR Is Used
White Balance	ROI White Balance/ Manual Temp-Tint Adjustment
Color Rendering Technique	Ultra Fine Color Engine
Capture/Control SDK	Windows/Linux/macOS/Android Multiple Platform SDK(Native C/C++, C#/VB.NET, Python, Java, DirectShow, Twain, etc);
Recording System	Still Picture and Movie
Cooling System*	Natural
OPERATING ENVIRONMENT	
Operating Temperature	-10 °C~ 50 °C
Storage Temperature	-20 °C~ 60 °C
Operating Humidity	30-80%RH
Storage Humidity	10-60%RH

Power Supply	DC 5V over PC USB Port
SOFTWARE ENVIRONMENT	
Operating System	Support Microsoft Windows XP / Vista / 7 / 8 / 10(32 & 64 bit) OS X (Mac OS X), Linux
PC Requirements	CPU: Equal to Intel Core2 2.8GHz or Higher
	Memory: 2GB or More
	USB port: USB2.0 High-speed Port
	Display: 17" or Larger
	CD-ROM

Dimension of E3CMOS Series Camera

Installation drawings(Click to enlarge). The E3CMOS body, made from CNC aluminium alloy, ensures a heavy duty, workhorse solution. The camera is designed with a high quality IR-CUT to protect the camera sensor. No moving parts included. This design ensures a rugged, robust solution with an increased lifespan when compared to other industrial camera solutions.



Dimension of E3CMOS Series Camera

Архангельск (8182)63-90-72
Астана (7172)727-132
Астрахань (8512)99-46-04
Барнаул (3852)73-04-60
Белгород (4722)40-23-64
Брянск (4832)59-03-52
Владивосток (423)249-28-31
Волгоград (844)278-03-48
Вологда (8172)26-41-59
Воронеж (473)204-51-73
Екатеринбург (343)384-55-89
Иваново (4932)77-34-06

Ижевск (3412)26-03-58
Иркутск (395)279-98-46
Казань (843)206-01-48
Калининград (4012)72-03-81
Калуга (4842)92-23-67
Кемерово (3842)65-04-62
Киров (8332)68-02-04
Краснодар (861)203-40-90
Красноярск (391)204-63-61
Курск (4712)77-13-04
Липецк (4742)52-20-81
Киргизия (996)312-96-26-47

Магнитогорск (3519)55-03-13
Москва (495)268-04-70
Мурманск (8152)59-64-93
Набережные Челны (8552)20-53-41
Нижний Новгород (831)429-08-12
Новокузнецк (3843)20-46-81
Новосибирск (383)227-86-73
Омск (3812)21-46-40
Орел (4862)44-53-42
Оренбург (3532)37-68-04
Пенза (8412)22-31-16
Россия (495)268-04-70

Пермь (342)205-81-47
Ростов-на-Дону (863)308-18-15
Рязань (4912)46-61-64
Самара (846)206-03-16
Санкт-Петербург (812)309-46-40
Саратов (845)249-38-78
Севастополь (8692)22-31-93
Симферополь (3652)67-13-56
Смоленск (4812)29-41-54
Сочи (862)225-72-31
Ставрополь (8652)20-65-13
Казахстан (772)734-952-31

Сургут (3462)77-98-35
Тверь (4822)63-31-35
Томск (3822)98-41-53
Тула (4872)74-02-29
Тюмень (3452)66-21-18
Ульяновск (8422)24-23-59
Уфа (347)229-48-12
Хабаровск (4212)92-98-04
Челябинск (351)202-03-61
Череповец (8202)49-02-64
Ярославль (4852)69-52-93

<https://toupstek.nt-rt.ru/> || tuo@nt-rt.ru