

Архангельск (8182)63-90-72  
 Астана (7172)727-132  
 Астрахань (8512)99-46-04  
 Барнаул (3852)73-04-60  
 Белгород (4722)40-23-64  
 Брянск (4832)59-03-52  
 Владивосток (423)249-28-31  
 Волгоград (844)278-03-48  
 Вологда (8172)26-41-59  
 Воронеж (473)204-51-73  
 Екатеринбург (343)384-55-89  
 Иваново (4932)77-34-06

Ижевск (3412)26-03-58  
 Иркутск (395)279-98-46  
 Казань (843)206-01-48  
 Калининград (4012)72-03-81  
 Калуга (4842)92-23-67  
 Кемерово (3842)65-04-62  
 Киров (8332)68-02-04  
 Краснодар (861)203-40-90  
 Красноярск (391)204-63-61  
 Курск (4712)77-13-04  
 Липецк (4742)52-20-81  
 Киргизия (996)312-96-26-47

Магнитогорск (3519)55-03-13  
 Москва (495)268-04-70  
 Мурманск (8152)59-64-93  
 Набережные Челны (8552)20-53-41  
 Нижний Новгород (831)429-08-12  
 Новокузнецк (3843)20-46-81  
 Новосибирск (383)227-86-73  
 Омск (3812)21-46-40  
 Орел (4862)44-53-42  
 Оренбург (3532)37-68-04  
 Пенза (8412)22-31-16  
 Россия (495)268-04-70

Пермь (342)205-81-47  
 Ростов-на-Дону (863)308-18-15  
 Рязань (4912)46-61-64  
 Самара (846)206-03-16  
 Санкт-Петербург (812)309-46-40  
 Саратов (845)249-38-78  
 Севастополь (8692)22-31-93  
 Симферополь (3652)67-13-56  
 Смоленск (4812)29-41-54  
 Сочи (862)225-72-31  
 Ставрополь (8652)20-65-13  
 Казахстан (772)734-952-31

Сургут (3462)77-98-35  
 Тверь (4822)63-31-35  
 Томск (3822)98-41-53  
 Тула (4872)74-02-29  
 Тюмень (3452)66-21-18  
 Ульяновск (8422)24-23-59  
 Уфа (347)229-48-12  
 Хабаровск (4212)92-98-04  
 Челябинск (351)202-03-61  
 Череповец (8202)49-02-64  
 Ярославль (4852)69-52-93

<https://toupstek.nt-rt.ru/> || [tuo@nt-rt.ru](mailto:tuo@nt-rt.ru)



### L3CMOS Series C-mount USB3.0 CMOS Camera

Standard C-Mount camera with Aptina CMOS sensor;

With hardware resolution among 1.2M to 14M;

On-board memory for perfect synchronization, higher frame rate and stable performance;

High performance cooling structure, ensures low image noise;

USB3.0 5 Gbps interface ensuring high frame rate;

Ultra-Fine color engine with perfect color reproduction capability;

With advanced video & image processing application ToupView;

Windows/Linux/macOS/Android multiple platform SDK;



### Specification

### L3CMOS Series C-mount USB3.0 CMOS Camera(6)

L3CMOS: ToupTek L3CMOS camera is luxurious USB3.0 CMOS camera with frame buffers and it adopts ultra-high performance CMOS sensor as the image-picking device, and USB3.0 is used as the data transfer interface.

L3CMOS comes with advanced video & image processing application ToupView; Providing Windows/Linux/macOS/Android multiple platform SDK(Native C/C++, C#/VB.NET, Python, Java, DirectShow, Twain, etc);

The L3CMOS can be widely used in brightfield light environment and microscope image capture and analysis.

Order Code	Sensor & Size(mm)	Pixel(μm)	G Sensitivity Dark Signal	FPS/Resolution	Binning	Exposure
L3CMOS14000KPA LP114000A	14M/MT9F002(C) 1/2.3"(5.73x4.60)	1.4x1.4	0.724v/lux-sec 65.3dB 35.5dB	6.2@4096x3286 20.8@2048x1644 53.3@1024x822	1x1 2x2 4x4	0.1ms~2000ms
L3CMOS12000KPA LP112000A(2022)	12M/IMX577(C) 1/2.1"(5.95x4.71)	1.55x1.55	250mv with 1/30s 0.25mv with 1/30s	8.5@3840x3040 49@1920x1516 137@960x758	1x1 2x2 4x4	0.1ms~2000ms
L3CMOS10000KPA LP110000A(2022)	10M/IMX577(C) 1/2.3"(5.68x4.26)	1.55x1.55	250mv with 1/30s 0.25mv with 1/30s	8.5@3664x2748 49@1832x1374 137@912x686	1x1 2x2 4x4	0.1ms~2000ms
L3CMOS08500KPA LP108500A(2022)	8.5M/Special(C) 1/2.4"(5.16x3.95)	1.55x1.55	250mv with 1/30s 0.25mv with 1/30s	10@3328x2548 56@1664x1272	1x1 2x2	0.1ms~2000ms
L3CMOS05100KPA LP105100A(2022)	5.1M/AR0521(C) 1/2.5"(5.70x4.28)	2.2x2.2	18.8ke-/lux 73dB 40dB	15.5@2592x1944 49.5@1296x972 97.5@648x486	1x1 2x2 4x4	0.1ms~2000ms
L3CMOS03100KPA LP103100A	3.1M/AR0330(C) 1/3"(4.51x3.37)	2.2x2.2	1.9v/lux-sec 100dB 39dB	27.3@2048x1534 53.3@1024x770	1x1 2x2	0.1ms~2000ms

<b>L3CMOS10000KPA LP110000A</b>	10M/MT9J003(C) 1/2.3" (5.98x4.58)	1.67x1.67	0.31v/lux-sec 65.2dB 34dB	7.2@3584x2746 24.5@1792x1372	1x1 2x2 4x4	0.1ms-2000ms
<b>L3CMOS08500KPA LP108500A</b>	8.5M/Special(C) 1/2.4" (5.56x4.26)	1.67x1.67	0.31v/lux-sec 65.2dB 34dB	8.3@3328x2548 26.2@1664x1272	1x1 2x2 4x4	0.1ms-2000ms
<b>L3CMOS05100KPA LP105100A</b>	5.1M/MT9P006(C) 1/2.5" (5.63x4.23)	2.2x2.2	1.76v/lux-sec 67.74dB 38.5dB	14.2@2560x1922 38.3@1280x960 101.2@640x480	1x1 2x2 4x4	0.05ms-2000ms

#### OTHER HARDWARE CONFIGURATION

Spectral Range	380-650nm (with IR-filter), for Monochromatic Camera, AR Is Used
White Balance	ROI White Balance/ Manual Temp-Tint Adjustment
Color Rendering Technique	Ultra Fine Color Engine
Capture/Control SDK	Windows/Linux/macOS/Android Multiple Platform SDK(Native C/C++, C#/VB.NET, Python, Java, DirectShow, Twain, etc);
Recording System	Still Picture and Movie
Cooling System*	Natural

#### OPERATING ENVIRONMENT

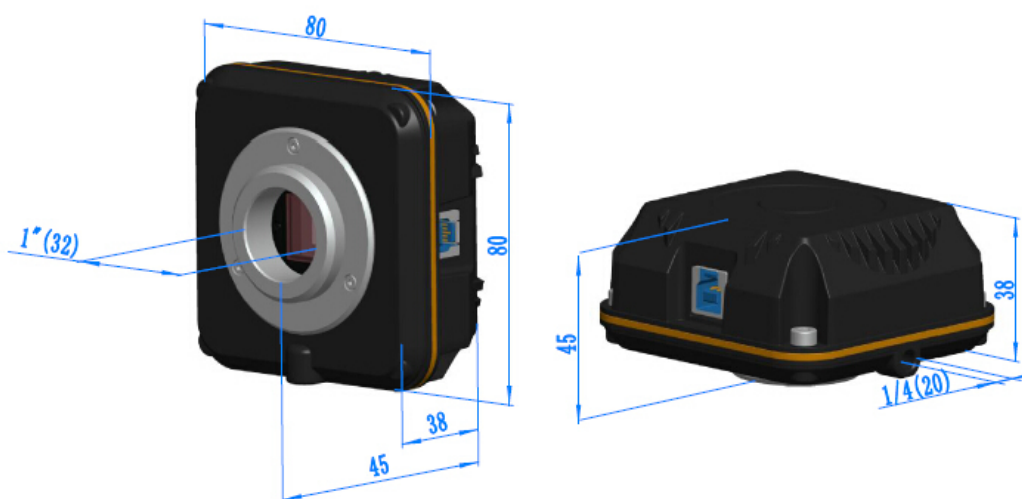
Operating Temperature	-10 °C~ 50 °C
Storage Temperature	-20 °C~ 60 °C
Operating Humidity	30~80%RH
Storage Humidity	10~60%RH
Power Supply	DC 5V over PC USB Port

#### SOFTWARE ENVIRONMENT

Operating System	Support Microsoft Windows XP / Vista / 7 / 8 / 10(32 & 64 bit) OS X (Mac OS X), Linux
PC Requirements	CPU: Equal to Intel Core2 2.8GHz or Higher
	Memory: 2GB or More
	USB port: USB2.0 High-speed Port
	Display: 17" or Larger CD-ROM

## L3CMOS Series USB3.0 CMOS Camera Dimension

Installation drawings(Click to enlarge). The L3CMOS series USB3.0 CMOS camera body, made from tough, aluminium alloy, ensures a heavy duty, workhorse solution. The camera is designed with a high quality IR-CUT to protect the camera sensor. No moving parts included. This design ensures a rugged, robust solution with an increased lifespan when compared to other industrial camera solutions.



Dimension for L3CMOS Series USB3.0 CMOS Camera

Архангельск (8182)63-90-72  
Астана (7172)727-132  
Астрахань (8512)99-46-04  
Барнаул (3852)73-04-60  
Белгород (4722)40-23-64  
Брянск (4832)59-03-52  
Владивосток (423)249-28-31  
Волгоград (844)278-03-48  
Вологда (8172)26-41-59  
Воронеж (473)204-51-73  
Екатеринбург (343)384-55-89  
Иваново (4932)77-34-06

Ижевск (3412)26-03-58  
Иркутск (395)279-98-46  
Казань (843)206-01-48  
Калининград (4012)72-03-81  
Калуга (4842)92-23-67  
Кемерово (3842)65-04-62  
Киров (8332)68-02-04  
Краснодар (861)203-40-90  
Красноярск (391)204-63-61  
Курск (4712)77-13-04  
Липецк (4742)52-20-81  
Киргизия (996)312-96-26-47

Магнитогорск (3519)55-03-13  
Москва (495)268-04-70  
Мурманск (8152)59-64-93  
Набережные Челны (8552)20-53-41  
Нижний Новгород (831)429-08-12  
Новокузнецк (3843)20-46-81  
Новосибирск (383)227-86-73  
Омск (3812)21-46-40  
Орел (4862)44-53-42  
Оренбург (3532)37-68-04  
Пенза (8412)22-31-16  
Россия (495)268-04-70

Пермь (342)205-81-47  
Ростов-на-Дону (863)308-18-15  
Рязань (4912)46-61-64  
Самара (846)206-03-16  
Санкт-Петербург (812)309-46-40  
Саратов (845)249-38-78  
Севастополь (8692)22-31-93  
Симферополь (3652)67-13-56  
Смоленск (4812)29-41-54  
Сочи (862)225-72-31  
Ставрополь (8652)20-65-13  
Казахстан (772)734-952-31

Сургут (3462)77-98-35  
Тверь (4822)63-31-35  
Томск (3822)98-41-53  
Тула (4872)74-02-29  
Тюмень (3452)66-21-18  
Ульяновск (8422)24-23-59  
Уфа (347)229-48-12  
Хабаровск (4212)92-98-04  
Челябинск (351)202-03-61  
Череповец (8202)49-02-64  
Ярославль (4852)69-52-93