

Архангельск (8182)63-90-72
 Астана (7172)727-132
 Астрахань (8512)99-46-04
 Барнаул (3852)73-04-60
 Белгород (4722)40-23-64
 Брянск (4832)59-03-52
 Владивосток (423)249-28-31
 Волгоград (844)278-03-48
 Вологда (8172)26-41-59
 Воронеж (473)204-51-73
 Екатеринбург (343)384-55-89
 Иваново (4932)77-34-06

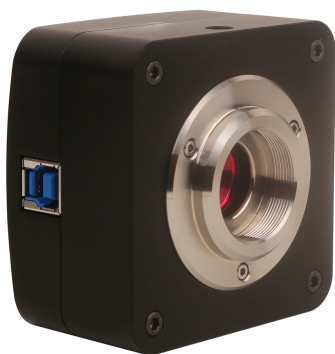
Ижевск (3412)26-03-58
 Иркутск (395)279-98-46
 Казань (843)206-01-48
 Калининград (4012)72-03-81
 Калуга (4842)92-23-67
 Кемерово (3842)65-04-62
 Киров (8332)68-02-04
 Краснодар (861)203-40-90
 Красноярск (391)204-63-61
 Курск (4712)77-13-04
 Липецк (4742)52-20-81
 Киргизия (996)312-96-26-47

Магнитогорск (3519)55-03-13
 Москва (495)268-04-70
 Мурманск (8152)59-64-93
 Набережные Челны (8552)20-53-41
 Нижний Новгород (831)429-08-12
 Новокузнецк (3843)20-46-81
 Новосибирск (383)227-86-73
 Омск (3812)21-46-40
 Орел (4862)44-53-42
 Оренбург (3532)37-68-04
 Пенза (8412)22-31-16
 Россия (495)268-04-70

Пермь (342)205-81-47
 Ростов-на-Дону (863)308-18-15
 Рязань (4912)46-61-64
 Самара (846)206-03-16
 Санкт-Петербург (812)309-46-40
 Саратов (845)249-38-78
 Севастополь (8692)22-31-93
 Симферополь (3652)67-13-56
 Смоленск (4812)29-41-54
 Сочи (862)225-72-31
 Ставрополь (8652)20-65-13
 Казахстан (772)734-952-31

Сургут (3462)77-98-35
 Тверь (4822)63-31-35
 Томск (3822)98-41-53
 Тула (4872)74-02-29
 Тюмень (3452)66-21-18
 Ульяновск (8422)24-23-59
 Уфа (347)229-48-12
 Хабаровск (4212)92-98-04
 Челябинск (351)202-03-61
 Череповец (8202)49-02-64
 Ярославль (4852)69-52-93

<https://toupstek.nt-rt.ru/> || tuo@nt-rt.ru



U3CMOS Series C-mount USB3.0 CMOS Camera

Standard C-Mount camera with Aptina CMOS sensor;

With hardware resolution among 3.0M to 18M;

Integrated zinc aluminum alloy housing;

USB3.0 5Gbps interface ensuring high speed data transmission;

Ultra-Fine color engine with perfect color reproduction capability;

With advanced video & image processing application ToupView;

Windows/Linux/macOS/Android multiple platform SDK;

Specification

U3CMOS Series C-mount USB3.0 CMOS Camera(9)

ToupTek U3CMOS camera is an ultra-high performance USB3.0 CMOS camera and it adopts ultra-high performance CMOS sensor as the image-picking device and USB3.0 is used as the data transfer interface.

U3CMOS camera hardware resolutions range from 3.0M to 18M and comes with the Integrated zinc aluminum alloy compact housing.

U3CMOS comes with advanced video & image processing application ToupView; Providing Windows/Linux/macOS/Android multiple platform SDK(Native C/C++, C#/VB.NET, Python, Java, DirectShow, Twain, etc);

The U3CMOS can be widely used in brightfield light environment and microscope image capture and analysis with higher frame rate.

Order Code	Sensor & Size(mm)	Pixel(μm)	G Sensitivity Dark Signal	FPS/Resolution	Binning	Exposure
U3CMOS18000KPA TP118000A	18M/AR1820(C) 1/2.3"(6.14x4.61)	1.25x1.25	0.62 V/lux-sec 65.8dB 36.3	5.6@4912x3684 18.1@2456x1842 32.2@1228x922	1x1 2x2 4x4	0.1ms~2000ms
U3CMOS16000KPA TP116000A	16M/MN34120(C) 1/2.33"(6.18x4.66)	1.335x1.335	R: 2453LSB Gr: 2444LSB Gb: 1054LSB B: 996LSB	6.0@4632x3488 15.0@2320x1740 26.0@1536x1160	1x1 2x2 3x3	0.2ms~2000ms
U3CMOS16000KPB TP116000B	16M/MN34230PLJ(C) 4/3" (17.60x13.30)	3.8x3.8	R: 1315LSB Gr: 2413LSB Gb: 2413LSB B:	6.0@4648x3506 15.0@2304x1750 30.0@1536x1168	1x1 2x2 3x3	0.06ms~15s

			1042LSB(Gain = 0dB)			
U3CMOS16000KMB TM116000B	16M/MN34230ALJ(M) 4/3" (17.60x13.30)	3.8x3.8	A: 2650LSB B: 2650LSB C: 2650LSB D: 2650LSB(Gain = 0dB)	22@4640x3506 36@3840x2160 43@2304x1750 43@1920x1080 49@1536x1168	1x1 2x2 3x3	0.224ms~15s
U3CMOS14000KPA TP114000A	14M/MT9F002(C) 1/2.3"(5.73x4.60)	1.4x1.4	0.724v/lux-sec 65.3dB 35.5dB	6.2@4096x3286 20.8@2048x1644 53.3@1024x822	1x1 2x2 3x3	0.4ms~2000ms
U3CMOS12000KPA TP112000A(2022)	12M/IMX577(C) 1/2.1" (5.95x4.71)	1.55x1.55	250mv with 1/30s 0.25mv with 1/30s	8.5@3840x3040 49@1920x1516 137@960x758	1x1 2x2 4x4	0.1ms~2000ms
U3CMOS10000KPA TP110000A(2022)	10M/IMX577(C) 1/2.3" (5.68x4.26)	1.55x1.55	250mv with 1/30s 0.25mv with 1/30s	8.5@3664x2748 49@1832x1374 137@912x686	1x1 2x2 4x4	0.1ms~2000ms
U3CMOS10000KMA TM110000A	10M/MT9J003(M) 1/2.3"(5.98x4.58)	1.67x1.67	0.4v/lux-sec 65.2dB 34dB	7.2@3584x2746 24.5@1792x1372	1x1 2x2 4x4	0.4ms~2000ms
U3CMOS08500KPA TP108500A(2022)	8.5M/Special(C) 1/2.4"(5.16x3.95)	1.55x1.55	250mv with 1/30s 0.25mv with 1/30s	10@3328x2548 56@1664x1272	1x1 2x2	0.1ms~2000ms
U3CMOS05100KPA TP105100A(2022)	5.1M/AR0521(C) 1/2.5" (5.70x4.28)	2.2x2.2	18.8ke-/lux 73dB 40dB	15.5@2592x1944 49.5@1296x972 97.5@648x486	1x1 2x2 4x4	0.1ms~2000ms
U3CMOS03100KPA TP103100A	3.1M/AR0330(C) 1/3" (4.51x3.38)	2.2x2.2	1.9v/lux-sec 100dB 39dB	27.3@2048x1534 53.3@1024x770	1x1 2x2	0.1ms~2000ms
U3CMOS10000KPA TP110000A	10M/MT9J003(C) 1/2.3" (5.98x4.58)	1.67x1.67	0.31v/lux-sec 65.2dB 34dB	7.2@3584x2746 24.5@1792x1372	1x1 2x2 4x4	0.4ms~2000ms
U3CMOS08500KPA TP108500A	8.5M/Special(C) 1/2.4"(5.56x4.26)	1.67x1.67	0.31v/lux-sec 65.2dB 34dB	8.3@3328x2548 26.2@1664x1272	1x1 2x2 4x4	0.1ms~2000ms
U3CMOS05100KPA TP105100A	5.1M/MT9P006(C) 1/2.5" (5.70x4.28)	2.2x2.2	1.76v/lux-sec 67.74dB 38.5dB	14.2@2560x1922 38.3@1280x960 101.2@640x480	1x1 2x2 4x4	0.1ms~2000ms

OTHER HARDWARE CONFIGURATION

Spectral Range	380-650nm (with IR-filter), for Monochromatic Camera, AR Is Used
White Balance	ROI White Balance/ Manual Temp-Tint Adjustment
Color Rendering Technique	Ultra Fine Color Engine
Capture/Control SDK	Windows/Linux/macOS/Android Multiple Platform SDK(Native C/C++, C#/VB.NET, Python, Java, DirectShow, Twain, etc);
Recording System	Still Picture and Movie
Cooling System*	Natural

OPERATING ENVIRONMENT

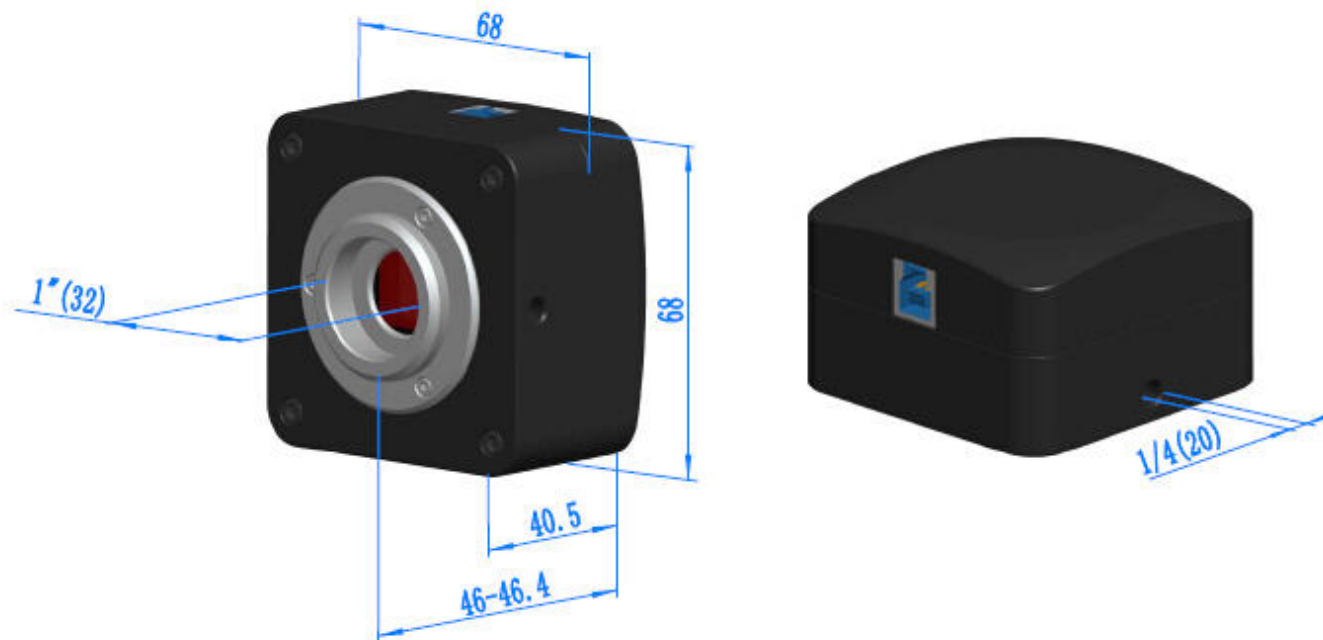
Operating Temperature	-10 °C~ 50 °C
Storage Temperature	-20 °C~ 60 °C
Operating Humidity	30~80%RH
Storage Humidity	10~60%RH
Power Supply	DC 5V over PC USB Port

SOFTWARE ENVIRONMENT

Operating System	Support Microsoft Windows XP / Vista / 7 / 8 / 10(32 & 64 bit) OS X (Mac OS X), Linux
PC Requirements	CPU: Equal to Intel Core2 2.8GHz or Higher
	Memory: 2GB or More
	USB port: USB2.0 High-speed Port
	Display: 17" or Larger
	CD-ROM

Dimension of U3CMOS Series

Installation drawings(Click to enlarge). The U3CMOS body, made from tough, CNC alloy, ensures a heavy duty, workhorse solution. The camera is designed with a high quality IR-CUT to protect the camera sensor. No moving parts included. This design ensures a rugged, robust solution with an increased lifespan when compared to other industrial camera solutions.



Dimension of U3CMOS Series Camera

Архангельск (8182)63-90-72
 Астана (7172)727-132
 Астрахань (8512)99-46-04
 Барнаул (3852)73-04-60
 Белгород (4722)40-23-64
 Брянск (4832)59-03-52
 Владивосток (423)249-28-31
 Волгоград (844)278-03-48
 Вологда (8172)26-41-59
 Воронеж (473)204-51-73
 Екатеринбург (343)384-55-89
 Иваново (4932)77-34-06

Ижевск (3412)26-03-58
 Иркутск (395)279-98-46
 Казань (843)206-01-48
 Калининград (4012)72-03-81
 Калуга (4842)92-23-67
 Кемерово (3842)65-04-62
 Киров (8332)68-02-04
 Краснодар (861)203-40-90
 Красноярск (391)204-63-61
 Курск (4712)77-13-04
 Липецк (4742)52-20-81
 Киргизия (996)312-96-26-47

Магнитогорск (3519)55-03-13
 Москва (495)268-04-70
 Мурманск (8152)59-64-93
 Набережные Челны (8552)20-53-41
 Нижний Новгород (831)429-08-12
 Новокузнецк (3843)20-46-81
 Новосибирск (383)227-86-73
 Омск (3812)21-46-40
 Орел (4862)44-53-42
 Оренбург (3532)37-68-04
 Пенза (8412)22-31-16
 Россия (495)268-04-70

Пермь (342)205-81-47
 Ростов-на-Дону (863)308-18-15
 Рязань (4912)46-61-64
 Самара (846)206-03-16
 Санкт-Петербург (812)309-46-40
 Саратов (845)249-38-78
 Севастополь (8692)22-31-93
 Симферополь (3652)67-13-56
 Смоленск (4812)29-41-54
 Сочи (862)225-72-31
 Ставрополь (8652)20-65-13
 Казахстан (772)734-952-31

Сургут (3462)77-98-35
 Тверь (4822)63-31-35
 Томск (3822)98-41-53
 Тула (4872)74-02-29
 Тюмень (3452)66-21-18
 Ульяновск (8422)24-23-59
 Уфа (347)229-48-12
 Хабаровск (4212)92-98-04
 Челябинск (351)202-03-61
 Череповец (8202)49-02-64
 Ярославль (4852)69-52-93

<https://toupstek.nt-rt.ru/> || tuo@nt-rt.ru