

Архангельск (8182)63-90-72  
 Астана (7172)727-132  
 Астрахань (8512)99-46-04  
 Барнаул (3852)73-04-60  
 Белгород (4722)40-23-64  
 Брянск (4832)59-03-52  
 Владивосток (423)249-28-31  
 Волгоград (844)278-03-48  
 Вологда (8172)26-41-59  
 Воронеж (473)204-51-73  
 Екатеринбург (343)384-55-89  
 Иваново (4932)77-34-06

Ижевск (3412)26-03-58  
 Иркутск (395)279-98-46  
 Казань (843)206-01-48  
 Калининград (4012)72-03-81  
 Калуга (4842)92-23-67  
 Кемерово (3842)65-04-62  
 Киров (8332)68-02-04  
 Краснодар (861)203-40-90  
 Красноярск (391)204-63-61  
 Курск (4712)77-13-04  
 Липецк (4742)52-20-81  
 Киргизия (996)312-96-26-47

Магнитогорск (3519)55-03-13  
 Москва (495)268-04-70  
 Мурманск (8152)59-64-93  
 Набережные Челны (8552)20-53-41  
 Нижний Новгород (831)429-08-12  
 Новокузнецк (3843)20-46-81  
 Новосибирск (383)227-86-73  
 Омск (3812)21-46-40  
 Орел (4862)44-53-42  
 Оренбург (3532)37-68-04  
 Пенза (8412)22-31-16  
 Россия (495)268-04-70

Пермь (342)205-81-47  
 Ростов-на-Дону (863)308-18-15  
 Рязань (4912)46-61-64  
 Самара (846)206-03-16  
 Санкт-Петербург (812)309-46-40  
 Саратов (845)249-38-78  
 Севастополь (8692)22-31-93  
 Симферополь (3652)67-13-56  
 Смоленск (4812)29-41-54  
 Сочи (862)225-72-31  
 Ставрополь (8652)20-65-13  
 Казахстан (772)734-952-31

Сургут (3462)77-98-35  
 Тверь (4822)63-31-35  
 Томск (3822)98-41-53  
 Тула (4872)74-02-29  
 Тюмень (3452)66-21-18  
 Ульяновск (8422)24-23-59  
 Уфа (347)229-48-12  
 Хабаровск (4212)92-98-04  
 Челябинск (351)202-03-61  
 Череповец (8202)49-02-64  
 Ярославль (4852)69-52-93

<https://toupstek.nt-rt.ru/> || [tuo@nt-rt.ru](mailto:tuo@nt-rt.ru)

### S3CMOS Series USB3.0 23.2mm Eyepiece CMOS Camera

Microscope eyepiece camera with 23.2 diameter and compact size;

Easy to extend to C or CS- Mount camera with high quality lens(optional);

High-quality camera with Aptina CMOS sensor;

Auto white balance and auto-exposure; Brightness, contrast, chroma, and saturation can be adjusted;

High-speed USB3.0 interface and high frame rate video display keep the screen smooth without interruption;

With advanced video & image processing application ToupView;

Custom programmable with SDK provided;



#### Specification

### S3CMOS Series USB3.0 CMOS 23.2mm Eyepiece CMOS Camera(3)

ToupTek S3CMOS is an economic version with simple and compact structure USB3.0 CMOS eyepiece camera. So here, the S means simple and compact. USB3.0 is used as the data transfer interface.

Microscope eyepiece camera with 23.2 diameter and compact size;

The S3CMOS eyepiece camera comes with high-speed USB3.0 interface and high frame rate video display keep the screen smooth without interruption;

Also the S3CMOS comes with advanced video & image processing application ToupView;

The S3CMOS can be widely used to transfer the mono or binocular student microscopes to digital microscope.

With 23.2 to 30mm or 23.2 to 30.75 convert ring, the S3CMOS camera can also change the stereo microscope to digital stereo microscope.

Order Code	Sensor & Size(mm)	Pixel(μm)	G Sensitivity Dark Signal	FPS/Resolution	Binning	Exposure
S3CMOS05100KPA TP305100A	5.1M/IMX335(C) 1/2.8"(5.18x3.89)	2.0x2.0	505mV 70dB 43dB	20@2592x1944 20@1280x960 20@640x480	1x1 1x1 1x1	Auto
S3CMOS05000KPA TP305000A	5.0M/MT9P001(C) 1/2.5"(5.70x4.28)	2.2x2.2	0.53 V/lux-sec 66.5dB 40.5dB	15@2560x1920 15@2048x1536 30@1920x1080	1x1, 2x2	Auto
S3CMOS05000KPC TP305000C	5.0M/SC5033(C) 1/2.7"(5.18x3.89)	2.0x2.0	2.0 V/lux-sec 64dB 35dB	15@2592x1944 20@2048x1536 20@1600x1200 30@800x600	1x1, 2x2	Auto

### OTHER HARDWARE CONFIGURATION

Spectral Range	380-650nm (with IR-filter), for Monochromatic Camera, AR Is Used
White Balance	ROI White Balance/ Manual Temp-Tint Adjustment
Color Rendering Technique	Ultra Fine Color Engine
Capture/Control SDK	Windows/Linux/macOS/Android Multiple Platform SDK(Native C/C++, C#/VB.NET, Python, Java, DirectShow, Twain, etc);
Recording System	Still Picture and Movie
Cooling System*	Natural

### OPERATING ENVIRONMENT

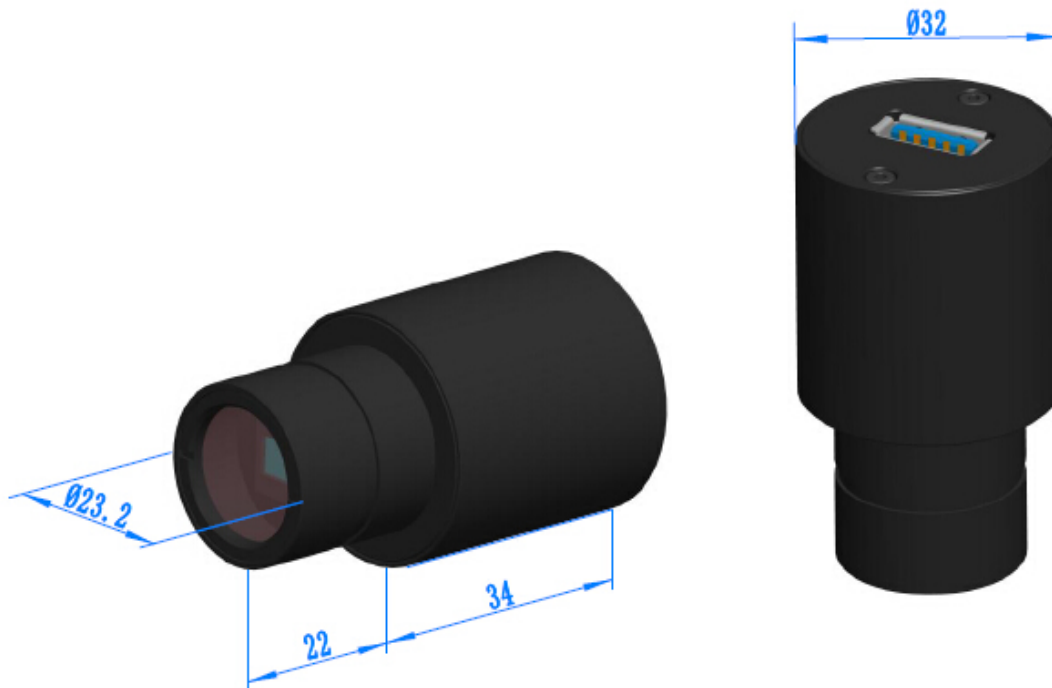
Operating Temperature	-10 °C~ 50 °C
Storage Temperature	-20 °C~ 60 °C
Operating Humidity	30~80%RH
Storage Humidity	10~60%RH
Power Supply	DC 5V over PC USB Port

### SOFTWARE ENVIRONMENT

Operating System	Support Microsoft Windows XP / Vista / 7 / 8 / 10(32 & 64 bit) OS X (Mac OS X), Linux
PC Requirements	CPU: Equal to Intel Core2 2.8GHz or Higher
	Memory: 2GB or More
	USB port: USB2.0 High-speed Port
	Display: 17" or Larger
	CD-ROM

## Dimension of S3CMOS Series Camera

Installation drawings(Click to enlarge). The S3CMOS Camera body, made from aluminum alloy blackening, ocular using: Dia.32 X 56mm ensures a heavy duty, workhorse solution. The camera is designed with a high quality IR-CUT filter to filter the infrared light and protect the camera sensor. No moving parts included. This design ensures a rugged, robust solution with an increased lifespan when compared to other industrial camera solutions.



Dimension of S3CMOS Series Camera

Архангельск (8182)63-90-72  
Астана (7172)727-132  
Астрахань (8512)99-46-04  
Барнаул (3852)73-04-60  
Белгород (4722)40-23-64  
Брянск (4832)59-03-52  
Владивосток (423)249-28-31  
Волгоград (844)278-03-48  
Вологда (8172)26-41-59  
Воронеж (473)204-51-73  
Екатеринбург (343)384-55-89  
Иваново (4932)77-34-06

Ижевск (3412)26-03-58  
Иркутск (395)279-98-46  
Казань (843)206-01-48  
Калининград (4012)72-03-81  
Калуга (4842)92-23-67  
Кемерово (3842)65-04-62  
Киров (8332)68-02-04  
Краснодар (861)203-40-90  
Красноярск (391)204-63-61  
Курск (4712)77-13-04  
Липецк (4742)52-20-81  
Киргизия (996)312-96-26-47

Магнитогорск (3519)55-03-13  
Москва (495)268-04-70  
Мурманск (8152)59-64-93  
Набережные Челны (8552)20-53-41  
Нижний Новгород (831)429-08-12  
Новокузнецк (3843)20-46-81  
Новосибирск (383)227-86-73  
Омск (3812)21-46-40  
Орел (4862)44-53-42  
Оренбург (3532)37-68-04  
Пенза (8412)22-31-16  
Россия (495)268-04-70

Пермь (342)205-81-47  
Ростов-на-Дону (863)308-18-15  
Рязань (4912)46-61-64  
Самара (846)206-03-16  
Санкт-Петербург (812)309-46-40  
Саратов (845)249-38-78  
Севастополь (8692)22-31-93  
Симферополь (3652)67-13-56  
Смоленск (4812)29-41-54  
Сочи (862)225-72-31  
Ставрополь (8652)20-65-13  
Казахстан (772)734-952-31

Сургут (3462)77-98-35  
Тверь (4822)63-31-35  
Томск (3822)98-41-53  
Тула (4872)74-02-29  
Тюмень (3452)66-21-18  
Ульяновск (8422)24-23-59  
Уфа (347)229-48-12  
Хабаровск (4212)92-98-04  
Челябинск (351)202-03-61  
Череповец (8202)49-02-64  
Ярославль (4852)69-52-93