

Архангельск (8182)63-90-72  
 Астана (7172)727-132  
 Астрахань (8512)99-46-04  
 Барнаул (3852)73-04-60  
 Белгород (4722)40-23-64  
 Брянск (4832)59-03-52  
 Владивосток (423)249-28-31  
 Волгоград (844)278-03-48  
 Вологда (8172)26-41-59  
 Воронеж (473)204-51-73  
 Екатеринбург (343)384-55-89  
 Иваново (4932)77-34-06

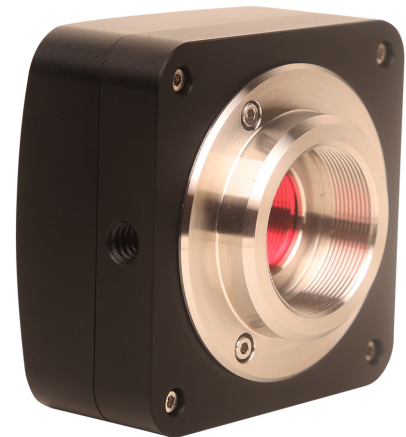
Ижевск (3412)26-03-58  
 Иркутск (395)279-98-46  
 Казань (843)206-01-48  
 Калининград (4012)72-03-81  
 Калуга (4842)92-23-67  
 Кемерово (3842)65-04-62  
 Киров (8332)68-02-04  
 Краснодар (861)203-40-90  
 Красноярск (391)204-63-61  
 Курск (4712)77-13-04  
 Липецк (4742)52-20-81  
 Киргизия (996)312-96-26-47

Магнитогорск (3519)55-03-13  
 Москва (495)268-04-70  
 Мурманск (8152)59-64-93  
 Набережные Челны (8552)20-53-41  
 Нижний Новгород (831)429-08-12  
 Новокузнецк (3843)20-46-81  
 Новосибирск (383)227-86-73  
 Омск (3812)21-46-40  
 Орел (4862)44-53-42  
 Оренбург (3532)37-68-04  
 Пенза (8412)22-31-16  
 Россия (495)268-04-70

Пермь (342)205-81-47  
 Ростов-на-Дону (863)308-18-15  
 Рязань (4912)46-61-64  
 Самара (846)206-03-16  
 Санкт-Петербург (812)309-46-40  
 Саратов (845)249-38-78  
 Севастополь (8692)22-31-93  
 Симферополь (3652)67-13-56  
 Смоленск (4812)29-41-54  
 Сочи (862)225-72-31  
 Ставрополь (8652)20-65-13  
 Казахстан (772)734-952-31

Сургут (3462)77-98-35  
 Тверь (4822)63-31-35  
 Томск (3822)98-41-53  
 Тула (4872)74-02-29  
 Тюмень (3452)66-21-18  
 Ульяновск (8422)24-23-59  
 Уфа (347)229-48-12  
 Хабаровск (4212)92-98-04  
 Челябинск (351)202-03-61  
 Череповец (8202)49-02-64  
 Ярославль (4852)69-52-93

<https://toupstek.nt-rt.ru/> || [tuo@nt-rt.ru](mailto:tuo@nt-rt.ru)



### ECMOS Series C-mount USB2.0 CMOS Camera

Standard C-Mount camera with Sony Exmor, Exmor R(Back illuminated CMOS sensor;

With hardware resolution among 1.2M to 5.3M;

CNC aluminum alloy housing;

USB2.0 interface ensuring high speed data transmission;

Ultra-Fine color engine with perfect color reproduction capability;

With advanced video & image processing application ToupView;

Windows/Linux/macOS/Android multiple platform SDK;

#### Specification

### ECMOS Series C-mount USB2.0 CMOS Camera(7)

ECMOS adopt SONY Exmor CMOS sensor as the image-picking device and USB2.0 is used as the data transfer interface.

ECMOS hardware resolutions range from 1.2M to 8.3M and come with the integrated CNC aluminum alloy compact housing.

ECMOS comes with advanced video & image processing application ToupView; Providing Windows/Linux/macOS/Android multiple platform SDK(Native C/C++, C#/VB.NET, Python, Java, DirectShow, Twain, etc);

The ECMOS can be widely used in bright field light environment and microscope image capture and analysis with higher frame rate.

Order Code	Sensor & Size(mm)	Pixel(μm)	G Sensitivity Dark Signal	FPS/Resolution	Binning	Exposure
<a href="#">ECMOS08300KPA</a> <a href="#">EP608300A(New)</a>	8.3M/IMX274(C) 1/2.5"(6.22x3.50)	1.62x1.62	236mv with 1/30s 0.1mv with 1/30s	4@3840x2160 16@1920x1080	1x1 2x2	0.244ms~ 15s
<a href="#">ECMOS06600KPA</a> <a href="#">EP606600A(New)</a>	6.6M/IMX326(C) 1/2.9"(4.98x3.50)	1.62x1.62	236mv with 1/30s 0.1mv with 1/30s	5@3072x2160 6@2592x1944 6@3072x1728 7@2160x2160	1x1 1x1 1x1 1x1	0.244ms~ 15s
<a href="#">ECMOS05300KPA</a> <a href="#">EP605300A</a>	5.3M/IMX178(C) 1/1.9"(7.37x4.15)	2.4x2.4	425mvwith 1/30s 0.15mv with 1/30s	5.5@3072 x1728 35@1280x720	1x1 2x2	0.105ms~ 15s
<a href="#">ECMOS05000KPA</a> <a href="#">EP605000A</a>	5.0M/IMX335(C) 1/2.8"(5.18x3.89)	2.0x2.0	505mvwith 1/30s 0.13mv with 1/30s	6.4@2592 x1944 26.7@1296x972	1x1 2x2	0.1ms~ 15s

<b>ECMOS03100KPA</b> <b>EP603100A</b>	3.1M/IMX123(C) 1/2.8" (5.12x3.84)	2.5x2.5	600mvwith 1/30s 0.15mv with 1/30s	11.5@2048x1536 18.3@1920x1080 18.1@1600x1200 29.5@1024x768	1x1 1x1 1x1 2x2	0.105ms- 15s
<b>ECMOS02000KPA</b> <b>EP602000A</b>	2.0M/IMX290(C) 1/2.8"(5.56x3.13)	2.9 x2.9	1300mvwith 1/30s 0.15mv with 1/30s	17@1920x1080	1x1	0.105ms- 15s
<b>ECMOS01200KPA</b> <b>EP601200A</b>	1.2M/IMX224(C) 1/3"(4.80x3.60)	3.75 x3.75	2040mvwith 1/30s 0.15mv with 1/30s	27@1280x960 54@640x480	1x1 2x2	0.105ms- 15s

#### OTHER HARDWARE CONFIGURATION

Spectral Range	380-650nm (with IR-filter), for Monochromatic Camera, AR Is Used
White Balance	ROI White Balance/ Manual Temp-Tint Adjustment
Color Rendering Technique	Ultra Fine Color Engine
Capture/Control SDK	Windows/Linux/macOS/Android Multiple Platform SDK(Native C/C++, C#/VB.NET, Python, Java, DirectShow, Twain, etc);
Recording System	Still Picture and Movie
Cooling System*	Natural

#### OPERATING ENVIRONMENT

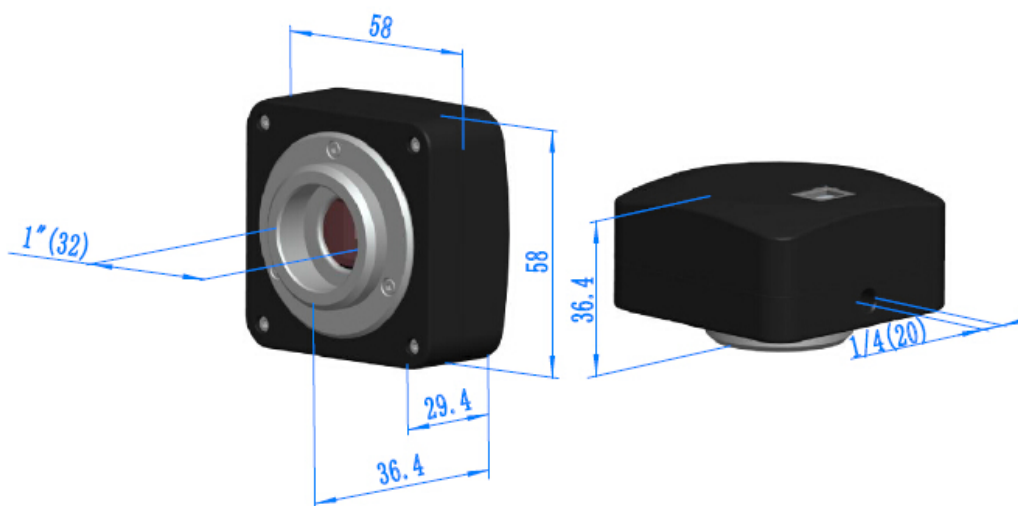
Operating Temperature	-10 °C- 50 °C
Storage Temperature	-20 °C- 60 °C
Operating Humidity	30-80%RH
Storage Humidity	10-60%RH
Power Supply	DC 5V over PC USB Port

#### SOFTWARE ENVIRONMENT

Operating System	Support Microsoft Windows XP / Vista / 7 / 8 / 10(32 & 64 bit) OS X (Mac OS X), Linux
PC Requirements	CPU: Equal to Intel Core2 2.8GHz or Higher
	Memory: 2GB or More
	USB port: USB2.0 High-speed Port
	Display: 17" or Larger
	CD-ROM

## ECMOS Series USB2.0 Camera Dimension

Installation drawings(Click to enlarge). The ECMOS Series USB2.0 Camera body, made from CNC alloy, ensures a heavy duty, workhorse solution. The camera is designed with a high quality IR-CUT to protect the camera sensor. No moving parts included. This design ensures a rugged, robust solution with an increased lifespan when compared to other industrial camera solutions.



Drawing for ECMOS Series USB2.0 Camera

Архангельск (8182)63-90-72  
Астана (7172)727-132  
Астрахань (8512)99-46-04  
Барнаул (3852)73-04-60  
Белгород (4722)40-23-64  
Брянск (4832)59-03-52  
Владивосток (423)249-28-31  
Волгоград (844)278-03-48  
Вологда (8172)26-41-59  
Воронеж (473)204-51-73  
Екатеринбург (343)384-55-89  
Иваново (4932)77-34-06

Ижевск (3412)26-03-58  
Иркутск (395)279-98-46  
Казань (843)206-01-48  
Калининград (4012)72-03-81  
Калуга (4842)92-23-67  
Кемерово (3842)65-04-62  
Киров (8332)68-02-04  
Краснодар (861)203-40-90  
Красноярск (391)204-63-61  
Курск (4712)77-13-04  
Липецк (4742)52-20-81  
Киргизия (996)312-96-26-47

Магнитогорск (3519)55-03-13  
Москва (495)268-04-70  
Мурманск (8152)59-64-93  
Набережные Челны (8552)20-53-41  
Нижегород (831)429-08-12  
Новокузнецк (3843)20-46-81  
Новосибирск (383)227-86-73  
Омск (3812)21-46-40  
Орел (4862)44-53-42  
Оренбург (3532)37-68-04  
Пенза (8412)22-31-16  
Россия (495)268-04-70

Пермь (342)205-81-47  
Ростов-на-Дону (863)308-18-15  
Рязань (4912)46-61-64  
Самара (846)206-03-16  
Санкт-Петербург (812)309-46-40  
Саратов (845)249-38-78  
Севастополь (8692)22-31-93  
Симферополь (3652)67-13-56  
Смоленск (4812)29-41-54  
Сочи (862)225-72-31  
Ставрополь (8652)20-65-13  
Казахстан (772)734-952-31

Сургут (3462)77-98-35  
Тверь (4822)63-31-35  
Томск (3822)98-41-53  
Тула (4872)74-02-29  
Тюмень (3452)66-21-18  
Ульяновск (8422)24-23-59  
Уфа (347)229-48-12  
Хабаровск (4212)92-98-04  
Челябинск (351)202-03-61  
Череповец (8202)49-02-64  
Ярославль (4852)69-52-93