

Архангельск (8182)63-90-72  
 Астана (7172)727-132  
 Астрахань (8512)99-46-04  
 Барнаул (3852)73-04-60  
 Белгород (4722)40-23-64  
 Брянск (4832)59-03-52  
 Владивосток (423)249-28-31  
 Волгоград (844)278-03-48  
 Вологда (8172)26-41-59  
 Воронеж (473)204-51-73  
 Екатеринбург (343)384-55-89  
 Иваново (4932)77-34-06

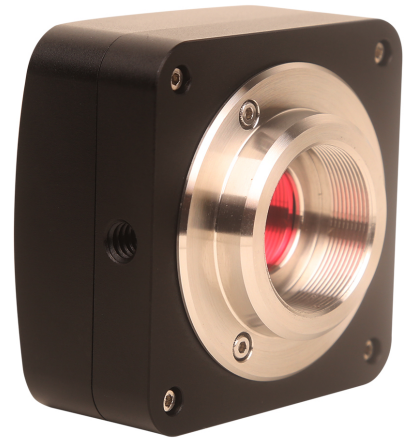
Ижевск (3412)26-03-58  
 Иркутск (395)279-98-46  
 Казань (843)206-01-48  
 Калининград (4012)72-03-81  
 Калуга (4842)92-23-67  
 Кемерово (3842)65-04-62  
 Киров (8332)68-02-04  
 Краснодар (861)203-40-90  
 Красноярск (391)204-63-61  
 Курск (4712)77-13-04  
 Липецк (4742)52-20-81  
 Киргизия (996)312-96-26-47

Магнитогорск (3519)55-03-13  
 Москва (495)268-04-70  
 Мурманск (8152)59-64-93  
 Набережные Челны (8552)20-53-41  
 Нижний Новгород (831)429-08-12  
 Новокузнецк (3843)20-46-81  
 Новосибирск (383)227-86-73  
 Омск (3812)21-46-40  
 Орел (4862)44-53-42  
 Оренбург (3532)37-68-04  
 Пенза (8412)22-31-16  
 Россия (495)268-04-70

Пермь (342)205-81-47  
 Ростов-на-Дону (863)308-18-15  
 Рязань (4912)46-61-64  
 Самара (846)206-03-16  
 Санкт-Петербург (812)309-46-40  
 Саратов (845)249-38-78  
 Севастополь (8692)22-31-93  
 Симферополь (3652)67-13-56  
 Смоленск (4812)29-41-54  
 Сочи (862)225-72-31  
 Ставрополь (8652)20-65-13  
 Казахстан (772)734-952-31

Сургут (3462)77-98-35  
 Тверь (4822)63-31-35  
 Томск (3822)98-41-53  
 Тула (4872)74-02-29  
 Тюмень (3452)66-21-18  
 Ульяновск (8422)24-23-59  
 Уфа (347)229-48-12  
 Хабаровск (4212)92-98-04  
 Челябинск (351)202-03-61  
 Череповец (8202)49-02-64  
 Ярославль (4852)69-52-93

<https://toupstek.nt-rt.ru/> || [tuo@nt-rt.ru](mailto:tuo@nt-rt.ru)



### UA Series C-mount USB2.0 CMOS Camera

- Standard C-Mount camera with Aptina CMOS sensor;
- With hardware resolution among 1.3M to 16M;
- Integrated zinc aluminum alloy housing;
- USB2.0 interface ensuring high speed data transmission;
- Ultra-Fine color engine with perfect color reproduction capability;
- With advanced video & image processing application ToupView;
- Windows/Linux/macOS/Android multiple platform SDK;
- External dedicated on-board buffer to achieve maximum performance of USB2.0
- Compatible with most of the old and new CPU PC;
- Aluminum alloy CNC housing which is the same as that of UCMOS series.

#### Specification

### UA Series C-mount USB2.0 CMOS Camera(6)

UA: ToupTek UA series camera is an Advanced USB2.0 CMOS camera and it adopts ultra-high performance CMOS sensor as the image-picking device. USB2.0 is used as the data transfer interface. External dedicated on-board buffer is added to achieve maximum performance of USB2.0.

UA camera hardware resolutions range from 1.3M to 16M and comes with the CNC aluminum alloy compact housing.

UA comes with advanced video & image processing application ToupView; Providing Windows/Linux/macOS/Android multiple platform SDK(Native C/C++, C#/VB.NET, Python, Java, DirectShow, Twain, etc);

The UA can be widely used in brightfield light environment and microscope image capture and analysis with moderate frame rate.

Order Code	Sensor & Size(mm)	Pixel(μm)	G Sensitivity Dark Signal	FPS/Resolution	Binning	Exposure
UA1600CA UP901600A	16M/MN34120(C) 1/2.33"(6.18x4.66)	1.335x1.335	R: 2453LSB Gr: 2444LSB	2@4632x3488 8@2320x1740	1x1 2x2	0.2ms~2000ms

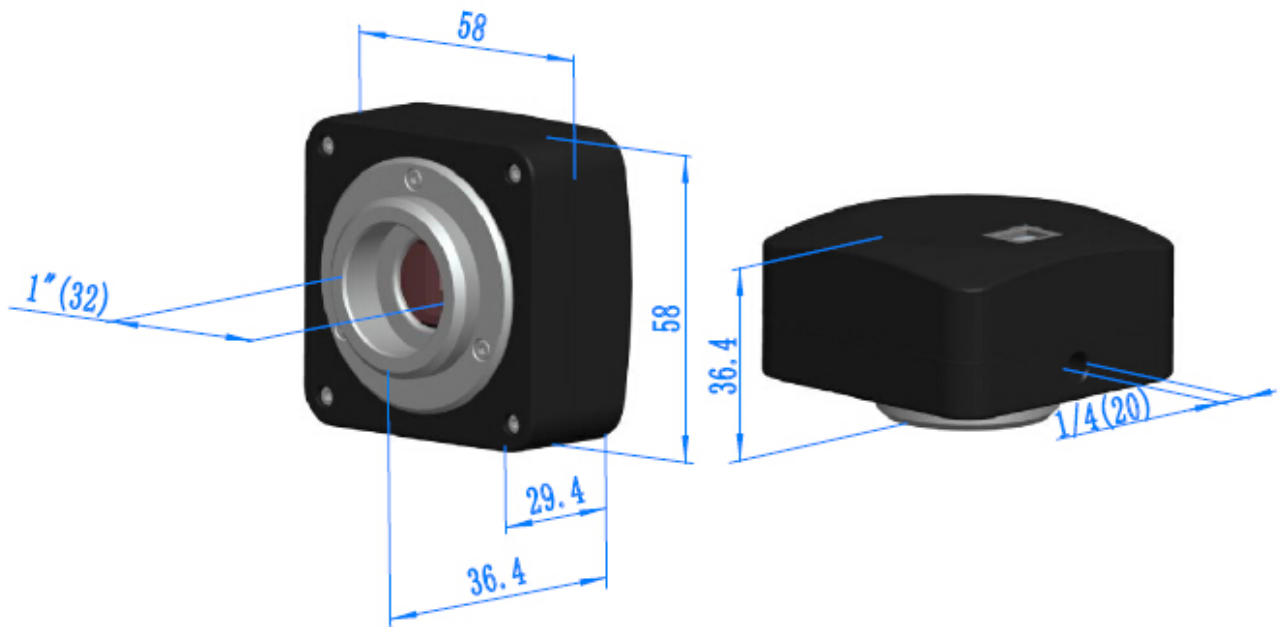
			Gb: 1054LSB B: 996LSB	11@1536x1160	3x3	
<a href="#">UA1200CA</a> <a href="#">UP901200A(2022)</a>	12M/IMX577(C) 1/2.1" (5.95x4.71)	1.55x1.55	250mv with 1/30s 0.25mv with 1/30s	3@3840x3040 11@1920x1516 47@960x758	1x1 2x2 4x4	0.4ms~2000ms
<a href="#">UA1000CA</a> <a href="#">UP901000A(2022)</a>	10M/IMX577(C) 1/2.3" (5.56x4.26)	1.55x1.55	250mv with 1/30s 0.25mv with 1/30s	3.3@3584x2748 12@1792x1374 53@896x684	1x1 2x2 4x4	0.4ms~2000ms
<a href="#">UA510CA</a> <a href="#">UP900510A(2022)</a>	5.1M/AR0521(C) 1/2.5" (5.70x4.28)	2.2x2.2	18.8ke-/lux 73dB 40dB	7.0@2592x1944 27.7@1296x972 100.5@648x486	1x1 2x2 4x4	0.2ms~2000ms
<a href="#">UA310CB</a> <a href="#">UP900310B(2022)</a>	3.1M/IMX123(C) 1/2.8" (5.12x3.84)	2.5x2.5	600mv with 1/30s 0.15mv with 1/30s	11.5@2048x1536 29.5@1024x768	1x1 2x2	0.2ms~2000ms
<a href="#">UA130CA</a> <a href="#">UP900130A</a>	1.23M/SC1235(C) 1/3" (4.80x3.60)	3.75x3.75	4.5V/lux-sec 74dB 38dB	25@1280x960 25@1280x720	1x1 1x1	0.1ms~2000ms
<a href="#">UA1000CA(New)</a> <a href="#">UP901000A</a>	10M/MT9J003(C) 1/2.3" (5.98x4.59)	1.67x1.67	0.31v/lux-sec 65.2dB 34dB	3.3@3584x2748 11@1792x1374 38@896x684	1x1 2x2 4x4	0.4ms~2000ms
<a href="#">UA510CA(New)</a> <a href="#">UP900510A</a>	5.1M/MT9P006(C) 1/2.5" (5.70x4.28)	2.2x2.2	0.53 V/lux-sec 66.5dB 40.5dB	7@2592x1944 27@1280x960 90@640x480	1x1 2x2 4x4	0.294ms~2000ms
<a href="#">UA310CA(New)</a> <a href="#">UP900310A</a>	3.1M/MT9T001(C) 1/2" (6.55x4.92)	3.2x3.2	1.0 V/lux-sec 61dB 43dB	12@2048x1536 32@1024x768 45@680x510	1x1 2x2 3x3	0.244ms~2000ms

#### OTHER HARDWARE CONFIGURATION

Spectral Range	380-650nm (with IR-filter), for Monochromatic Camera, AR Is Used
White Balance	ROI White Balance/ Manual Temp-Tint Adjustment
Color Rendering Technique	Ultra Fine Color Engine
Capture/Control SDK	Windows/Linux/macOS/Android Multiple Platform SDK(Native C/C++, C#/VB.NET, Python, Java, DirectShow, Twain, etc);
Recording System	Still Picture and Movie
Cooling System*	Natural
<b>OPERATING ENVIRONMENT</b>	
Operating Temperature	-10 °C~ 50 °C
Storage Temperature	-20 °C~ 60 °C
Operating Humidity	30~80%RH
Storage Humidity	10~60%RH
Power Supply	DC 5V over PC USB Port
<b>SOFTWARE ENVIRONMENT</b>	
Operating System	Support Microsoft Windows XP / Vista / 7 / 8 / 10(32 & 64 bit) OS X (Mac OS X), Linux
PC Requirements	CPU: Equal to Intel Core2 2.8GHz or Higher
	Memory: 2GB or More
	USB port: USB2.0 High-speed Port
	Display: 17" or Larger CD-ROM

#### UA Series USB2.0 Camera Dimension

Installation drawings(Click to enlarge). The UA Series USB2.0 Camera body, made from tough, CNC alloy, ensures a heavy duty, workhorse solution. The camera is designed with a high quality IR-CUT to protect the camera sensor. No moving parts included. This design ensures a rugged, robust solution with an increased lifespan when compared to other industrial camera solutions.



Drawing for UA Series USB2.0 Camera

Архангельск (8182)63-90-72  
 Астана (7172)727-132  
 Астрахань (8512)99-46-04  
 Барнаул (3852)73-04-60  
 Белгород (4722)40-23-64  
 Брянск (4832)59-03-52  
 Владивосток (423)249-28-31  
 Волгоград (844)278-03-48  
 Вологда (8172)26-41-59  
 Воронеж (473)204-51-73  
 Екатеринбург (343)384-55-89  
 Иваново (4932)77-34-06

Ижевск (3412)26-03-58  
 Иркутск (395)279-98-46  
 Казань (843)206-01-48  
 Калининград (4012)72-03-81  
 Калуга (4842)92-23-67  
 Кемерово (3842)65-04-62  
 Киров (8332)68-02-04  
 Краснодар (861)203-40-90  
 Красноярск (391)204-63-61  
 Курск (4712)77-13-04  
 Липецк (4742)52-20-81  
 Киргизия (996)312-96-26-47

Магнитогорск (3519)55-03-13  
 Москва (495)268-04-70  
 Мурманск (8152)59-64-93  
 Набережные Челны (8552)20-53-41  
 Нижний Новгород (831)429-08-12  
 Новокузнецк (3843)20-46-81  
 Новосибирск (383)227-86-73  
 Омск (3812)21-46-40  
 Орел (4862)44-53-42  
 Оренбург (3532)37-68-04  
 Пенза (8412)22-31-16  
 Россия (495)268-04-70

Пермь (342)205-81-47  
 Ростов-на-Дону (863)308-18-15  
 Рязань (4912)46-61-64  
 Самара (846)206-03-16  
 Санкт-Петербург (812)309-46-40  
 Саратов (845)249-38-78  
 Севастополь (8692)22-31-93  
 Симферополь (3652)67-13-56  
 Смоленск (4812)29-41-54  
 Сочи (862)225-72-31  
 Ставрополь (8652)20-65-13  
 Казахстан (772)734-952-31

Сургут (3462)77-98-35  
 Тверь (4822)63-31-35  
 Томск (3822)98-41-53  
 Тула (4872)74-02-29  
 Тюмень (3452)66-21-18  
 Ульяновск (8422)24-23-59  
 Уфа (347)229-48-12  
 Хабаровск (4212)92-98-04  
 Челябинск (351)202-03-61  
 Череповец (8202)49-02-64  
 Ярославль (4852)69-52-93

<https://toupstek.nt-rt.ru/> || [tuo@nt-rt.ru](mailto:tuo@nt-rt.ru)