

Архангельск (8182)63-90-72  
 Астана (7172)727-132  
 Астрахань (8512)99-46-04  
 Барнаул (3852)73-04-60  
 Белгород (4722)40-23-64  
 Брянск (4832)59-03-52  
 Владивосток (423)249-28-31  
 Волгоград (844)278-03-48  
 Вологда (8172)26-41-59  
 Воронеж (473)204-51-73  
 Екатеринбург (343)384-55-89  
 Иваново (4932)77-34-06

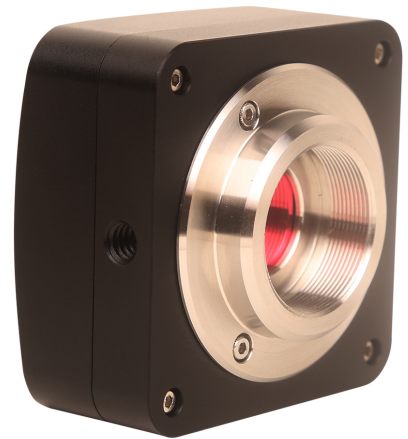
Ижевск (3412)26-03-58  
 Иркутск (395)279-98-46  
 Казань (843)206-01-48  
 Калининград (4012)72-03-81  
 Калуга (4842)92-23-67  
 Кемерово (3842)65-04-62  
 Киров (8332)68-02-04  
 Краснодар (861)203-40-90  
 Красноярск (391)204-63-61  
 Курск (4712)77-13-04  
 Липецк (4742)52-20-81  
 Киргизия (996)312-96-26-47

Магнитогорск (3519)55-03-13  
 Москва (495)268-04-70  
 Мурманск (8152)59-64-93  
 Набережные Челны (8552)20-53-41  
 Нижний Новгород (831)429-08-12  
 Новокузнецк (3843)20-46-81  
 Новосибирск (383)227-86-73  
 Омск (3812)21-46-40  
 Орел (4862)44-53-42  
 Оренбург (3532)37-68-04  
 Пенза (8412)22-31-16  
 Россия (495)268-04-70

Пермь (342)205-81-47  
 Ростов-на-Дону (863)308-18-15  
 Рязань (4912)46-61-64  
 Самара (846)206-03-16  
 Санкт-Петербург (812)309-46-40  
 Саратов (845)249-38-78  
 Севастополь (8692)22-31-93  
 Симферополь (3652)67-13-56  
 Смоленск (4812)29-41-54  
 Сочи (862)225-72-31  
 Ставрополь (8652)20-65-13  
 Казахстан (772)734-952-31

Сургут (3462)77-98-35  
 Тверь (4822)63-31-35  
 Томск (3822)98-41-53  
 Тула (4872)74-02-29  
 Тюмень (3452)66-21-18  
 Ульяновск (8422)24-23-59  
 Уфа (347)229-48-12  
 Хабаровск (4212)92-98-04  
 Челябинск (351)202-03-61  
 Череповец (8202)49-02-64  
 Ярославль (4852)69-52-93

<https://touptek.nt-rt.ru/> || [tuo@nt-rt.ru](mailto:tuo@nt-rt.ru)



### UCMOS Series C-mount USB2.0 CMOS Camera

- Standard C-Mount camera with Aptina CMOS sensor;
- With hardware resolution among 0.35M to 14M;
- Integrated zinc aluminum alloy housing;
- USB2.0 interface ensuring high speed data transmission;
- Ultra-Fine color engine with perfect color reproduction capability;
- With advanced video & image processing application ToupView;
- Windows/Linux/macOS/Android multiple platform SDK;

#### Specification

### UCMOS Series C-mount USB2.0 CMOS Camera(8)

UCMOS: ToupTek UCMOS camera is an ultra-high performance CMOS camera and it adopts ultra-high performance CMOS sensor as the image-picking device. USB2.0 is used as the data transfer interface.

UCMOS camera hardware resolutions range from 0.35M to 14M and comes with the Integrated zinc aluminum alloy compact housing.

UCMOS comes with advanced video & image processing application ToupView; Providing Windows/Linux/macOS/Android multiple platform SDK(Native C/C++, C#/VB.NET, Python, Java, DirectShow, Twain, etc);

The UCMOS can be widely used in brightfield light environment and microscope image capture and analysis with moderate frame rate.

Order Code	Sensor & Size(mm)	Pixel(μm)	G Sensitivity Dark Signal	FPS/Resolution	Binning	Exposure
UCMOS14000KPA TP614000A	14M/MT9F002(C) 1/2.3"(5.73x4.60)	1.4x1.4	0.724v/lux-sec 65.3dB 35.5dB	1.8@4096x3288 10@2048x1644 27@1024x822	1x1 2x2 4x4	0.4ms~2000ms
UCMOS12000KPA TP612000A(2022)	12M/IMX577(C) 1/2.1"(5.95x4.71)	1.55x1.55	250mv with 1/30s 0.25mv with 1/30s	3@3840x3040 11@1920x1516 47@960x758	1x1 2x2 4x4	0.4ms~2000ms
UCMOS10000KPA TP610000A(2022)	10M/IMX577(C) 1/2.3"(5.56x4.26)	1.55x1.55	250mv with 1/30s 0.25mv with 1/30s	3.3@3584x2748 12@1792x1374 53@896x684	1x1 2x2 4x4	0.4ms~2000ms
UCMOS09000KPB TP609000B(2022)	9M/Special(C) 1/2.4"(5.41x4.05)	1.55x1.55	250mv with 1/30s 0.25mv with 1/30s	3.5@3488x2616 13@1744x1308	1x1 2x2	0.4ms~2000ms

				55@872x654	4x4	
UCMOS08000KPB TP608000B(2022)	8M/Special(C) 1/2.5" (5.06x3.79)	1.55x1.55	250mv with 1/30s 0.25mv with 1/30s	4@3264x2448 15@1600x1200 62@800x600	1x1 2x2 4x4	0.4ms~2000ms
UCMOS05100KPA TP605100A(2022)	5.1M/AR0521(C) 1/2.5" (5.70x4.28)	2.2x2.2	18.8ke-/lux 73dB 40dB	7.0@2592x1944 27.7@1296x972 100.5@648x486	1x1 2x2 4x4	0.2ms~2000ms
UCMOS03100KPB TP603100B(2022)	3.1M/IMX123(C) 1/2.8" (5.12x3.84)	2.5x2.5	600mv with 1/30s 0.15mv with 1/30s	11.5@2048x1536 29.5@1024x768	1x1 2x2	0.2ms~2000ms
UCMOS01300KPA TP601300A	1.23M/SC1235(C) 1/3" (4.80x3.60)	3.75x3.75	4.5V/lux-sec 74dB 38dB	15@1280x960 15@1280x720	1x1 1x1	0.14ms~2000ms
UCMOS10000KPA TP610000A	10M/MT9J003(C) 1/2.3" (5.98x4.59)	1.67x1.67	0.31v/lux-sec 65.2dB 34dB	1.9@3584x2748 8@1792x1374 27@896x684	1x1 2x2 4x4	0.4ms~2000ms
UCMOS09000KPB TP609000B	9M/Special(C) 1/2.4" (5.83x4.37)	1.67x1.67	0.31v/lux-sec 65.2dB 34dB	1.9@3488x2616 8@1744x1308 27@872x654	1x1 2x2 4x4	0.4ms~2000ms
UCMOS08000KPB TP608000B	8M/Special(C) 1/2.5" (5.45x4.09)	1.67x1.67	0.31v/lux-sec 65.2dB 34dB	1.9@3264x2448 8@1600x1200 27@800x600	1x1 2x2 4x4	0.4ms~2000ms
UCMOS05100KPA TP605100A	5.1M/MT9P006(C) 1/2.5" (5.70x4.28)	2.2x2.2	0.53 V/lux-sec 66.5dB 40.5dB	5@2592x1944 18@1280x960 60@640x480	1x1 2x2 4x4	0.294ms~2000ms
UCMOS03100KPA TP603100A	3.1M/MT9T001(C) 1/2" (6.55x4.92)	3.2x3.2	1.0 V/lux-sec 61dB 43dB	8@2048x1536 22@1024x768 43@680x510	1x1 2x2 3x3	0.244ms~2000ms
UCMOS02000KPB TP602000B	2.0M/Special(C) 1/2.6" (5.12x3.84)	3.2x3.2	1.0 V/lux-sec 61dB 43dB	16@1600x1200 50@800x600	1x1 2x2	0.128ms~2000ms
UCMOS01300KMA TM601300A	1.3M/MT9M001(M) 1/2" (6.66x5.32)	5.2x5.2	2.1 V/lux-sec 68.2dB 45dB	20@1280x1024	1x1	0.14ms~500ms
UCMOS00350KPA TP600350A	0.35M/MT9V011(C) 1/4" (3.58x2.69)	5.6x5.6	1.9V/lux-sec 60dB 45dB	30@640x480 80@320x240	1x1 2x2	0.111ms~192ms

#### OTHER HARDWARE CONFIGURATION

Spectral Range	380-650nm (with IR-filter), for Monochromatic Camera, AR Is Used
White Balance	ROI White Balance/ Manual Temp-Tint Adjustment
Color Rendering Technique	Ultra Fine Color Engine
Capture/Control SDK	Windows/Linux/macOS/Android Multiple Platform SDK(Native C/C++, C#/VB.NET, Python, Java, DirectShow, Twain, etc);
Recording System	Still Picture and Movie
Cooling System*	Natural

#### OPERATING ENVIRONMENT

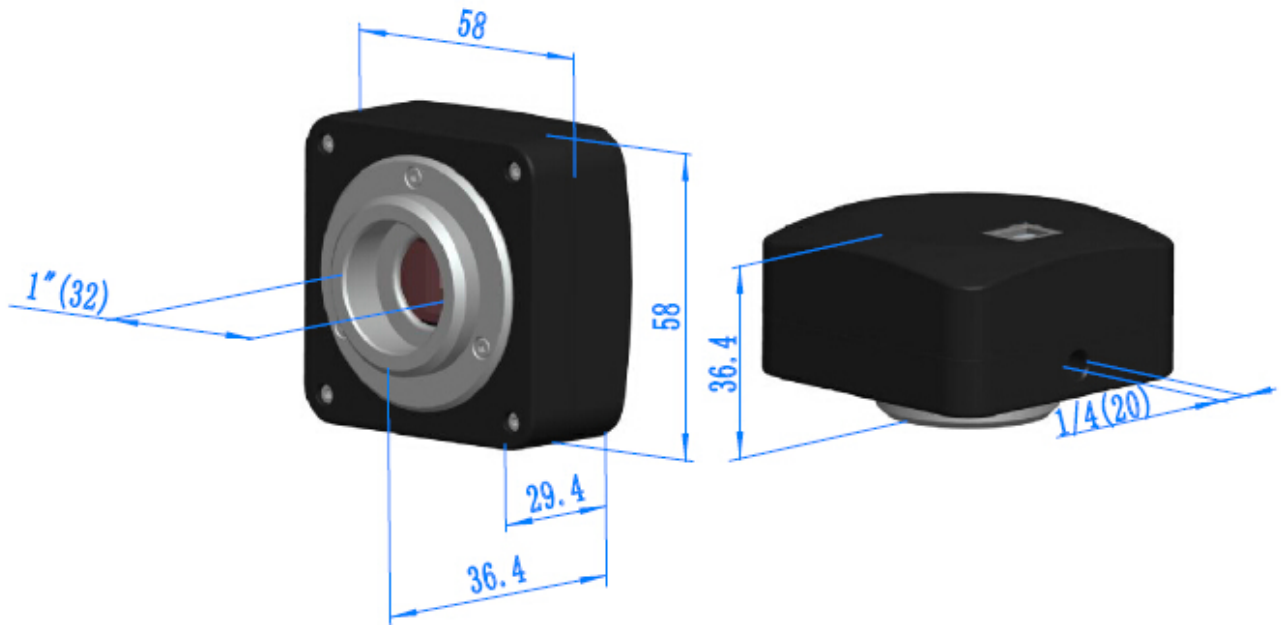
Operating Temperature	-10 °C~ 50 °C
Storage Temperature	-20 °C~ 60 °C
Operating Humidity	30~80%RH
Storage Humidity	10~60%RH
Power Supply	DC 5V over PC USB Port

#### SOFTWARE ENVIRONMENT

Operating System	Support Microsoft Windows XP / Vista / 7 / 8 / 10(32 & 64 bit) OS X (Mac OS X), Linux
PC Requirements	CPU: Equal to Intel Core2 2.8GHz or Higher
	Memory: 2GB or More
	USB port: USB2.0 High-speed Port
	Display: 17" or Larger CD-ROM

### UCMOS Series USB2.0 Camera Dimension

Installation drawings(Click to enlarge). The UCMOS Series USB2.0 Camera body, made from tough, CNC alloy, ensures a heavy duty, workhorse solution. The camera is designed with a high quality IR-CUT to protect the camera sensor. No moving parts included. This design ensures a rugged, robust solution with an increased life span when compared to other industrial camera solutions.



Drawing for UCMOS Series USB2.0 Camera

Архангельск (8182)63-90-72  
 Астана (7172)727-132  
 Астрахань (8512)99-46-04  
 Барнаул (3852)73-04-60  
 Белгород (4722)40-23-64  
 Брянск (4832)59-03-52  
 Владивосток (423)249-28-31  
 Волгоград (844)278-03-48  
 Вологда (8172)26-41-59  
 Воронеж (473)204-51-73  
 Екатеринбург (343)384-55-89  
 Иваново (4932)77-34-06

Ижевск (3412)26-03-58  
 Иркутск (395)279-98-46  
 Казань (843)206-01-48  
 Калининград (4012)72-03-81  
 Калуга (4842)92-23-67  
 Кемерово (3842)65-04-62  
 Киров (8332)68-02-04  
 Краснодар (861)203-40-90  
 Красноярск (391)204-63-61  
 Курск (4712)77-13-04  
 Липецк (4742)52-20-81  
 Киргизия (996)312-96-26-47

Магнитогорск (3519)55-03-13  
 Москва (495)268-04-70  
 Мурманск (8152)59-64-93  
 Набережные Челны (8552)20-53-41  
 Нижний Новгород (831)429-08-12  
 Новокузнецк (3843)20-46-81  
 Новосибирск (383)227-86-73  
 Омск (3812)21-46-40  
 Орел (4862)44-53-42  
 Оренбург (3532)37-68-04  
 Пенза (8412)22-31-16  
 Россия (495)268-04-70

Пермь (342)205-81-47  
 Ростов-на-Дону (863)308-18-15  
 Рязань (4912)46-61-64  
 Самара (846)206-03-16  
 Санкт-Петербург (812)309-46-40  
 Саратов (845)249-38-78  
 Севастополь (8692)22-31-93  
 Симферополь (3652)67-13-56  
 Смоленск (4812)29-41-54  
 Сочи (862)225-72-31  
 Ставрополь (8652)20-65-13  
 Казахстан (772)734-952-31

Сургут (3462)77-98-35  
 Тверь (4822)63-31-35  
 Томск (3822)98-41-53  
 Тула (4872)74-02-29  
 Тюмень (3452)66-21-18  
 Ульяновск (8422)24-23-59  
 Уфа (347)229-48-12  
 Хабаровск (4212)92-98-04  
 Челябинск (351)202-03-61  
 Череповец (8202)49-02-64  
 Ярославль (4852)69-52-93

<https://touptek.nt-rt.ru/> || [tuo@nt-rt.ru](mailto:tuo@nt-rt.ru)