

Архангельск (8182)63-90-72  
 Астана (7172)727-132  
 Астрахань (8512)99-46-04  
 Барнаул (3852)73-04-60  
 Белгород (4722)40-23-64  
 Брянск (4832)59-03-52  
 Владивосток (423)249-28-31  
 Волгоград (844)278-03-48  
 Вологда (8172)26-41-59  
 Воронеж (473)204-51-73  
 Екатеринбург (343)384-55-89  
 Иваново (4932)77-34-06

Ижевск (3412)26-03-58  
 Иркутск (395)279-98-46  
 Казань (843)206-01-48  
 Калининград (4012)72-03-81  
 Калуга (4842)92-23-67  
 Кемерово (3842)65-04-62  
 Киров (8332)68-02-04  
 Краснодар (861)203-40-90  
 Красноярск (391)204-63-61  
 Курск (4712)77-13-04  
 Липецк (4742)52-20-81  
 Киргизия (996)312-96-26-47

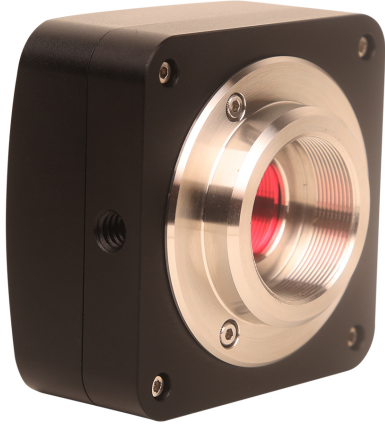
Магнитогорск (3519)55-03-13  
 Москва (495)268-04-70  
 Мурманск (8152)59-64-93  
 Набережные Челны (8552)20-53-41  
 Нижний Новгород (831)429-08-12  
 Новокузнецк (3843)20-46-81  
 Новосибирск (383)227-86-73  
 Омск (3812)21-46-40  
 Орел (4862)44-53-42  
 Оренбург (3532)37-68-04  
 Пенза (8412)22-31-16  
 Россия (495)268-04-70

Пермь (342)205-81-47  
 Ростов-на-Дону (863)308-18-15  
 Рязань (4912)46-61-64  
 Самара (846)206-03-16  
 Санкт-Петербург (812)309-46-40  
 Саратов (845)249-38-78  
 Севастополь (8692)22-31-93  
 Симферополь (3652)67-13-56  
 Смоленск (4812)29-41-54  
 Сочи (862)225-72-31  
 Ставрополь (8652)20-65-13  
 Казахстан (772)734-952-31

Сургут (3462)77-98-35  
 Тверь (4822)63-31-35  
 Томск (3822)98-41-53  
 Тула (4872)74-02-29  
 Тюмень (3452)66-21-18  
 Ульяновск (8422)24-23-59  
 Уфа (347)229-48-12  
 Хабаровск (4212)92-98-04  
 Челябинск (351)202-03-61  
 Череповец (8202)49-02-64  
 Ярославль (4852)69-52-93

<https://toupstek.nt-rt.ru/> || [tuo@nt-rt.ru](mailto:tuo@nt-rt.ru)

### C2CMOS Series C-mount USB2.0 CMOS Camera



Standard C-Mount camera with Sony or OnSemi CMOS sensor;

With hardware resolution among 2.10MP to 12MP;

USB2.0 interface ensuring high speed data transmission;

Integrated with large capacity memory chip ensures data synchronous transmission, low latency, high frame rate and stability;

Compatible with Microsoft USB Video Class protocol and support the third-party software development;

Built in Ultra-fine hardware ISP engine ensures high color restoration;

High performance MJPEG compression algorithm, ensure highest frame rate of USB2.0 camera in the industry;

The FPS for 5MP and 8MP can be up to 30FPS; the FPS for 12MP can be up to 15FPS;

Comply with CE and FCC agreements;

CNC aluminum alloy housing;

With advanced video & image processing application ToupView;

Windows/Linux/macOS/Android multiple platform SDK;

#### Specification

### C2CMOS Series C-mount USB2.0 CMOS Camera(6)

C2CMOS: ToupTek C2CMOS camera is compact and high performance CMOS camera and it adopts Sony or OnSemi CMOS sensor as the image-picking device. USB2.0 is used as the data transfer interface.

C2CMOS camera hardware resolutions range from 2.1M to 12M and comes with the Integrated zinc aluminum alloy compact housing.

High performance MJPEG compression algorithm, combined with the unique decoding method of ToupView and image restoration algorithm ensure highest frame rate of USB2.0 camera in the industry. The FPS for 5MP and 8MP can be up to 30FPS; the FPS for 12MP can be up to 20FPS;

Built in Ultra-fine hardware ISP engine ensures high color restoration;

- Support automatic/manual exposure switching, accurate exposure time control, and real-time adjustment of exposure target area;
- Support automatic/manual/ROI white balance;
- Support color adjustment/color mode selection/image flipping;
- Support histogram adjust/flat field correction/dark field correction/video ROI;

C2CMOS comes with advanced video & image processing application ToupView; Providing Windows/Linux/macOS/Android multiple platform SDK(Native C/C++, C#/VB.NET, Python, Java, DirectShow, Twain, etc);

The C2CMOS can be widely used in brightfield light environment and microscope image capture and analysis with moderate frame rate.

Order Code	Sensor & Size(mm)	Pixel(μm)	G Sensitivity Dark Signal	FPS/Resolution	Binning	Exposure
C2CMOS12000KPA CP212000A	12M/IMX577(C) 1/2.3" (5.95x4.71)	1.55x1.55	250LSB 70dB 43dB	20@3840x3040 20@1920x1520 20@960x760	1x1 1x1 1x1	0.1-2000 ms
C2CMOS08300KPA CP208300A	8.3M/IMX274(C) 1/2.5" (6.22x3.50)	1.62x1.62	236mV 70dB 43dB	30@3840x2160 30@1920x1080 30@1280x720 30@960x540	1x1 1x1 1x1	0.1-2000 ms
C2CMOS05100KPA CP205100A	5.1M/AR0521(C) 1/2.5" (5.70x4.28)	2.2x2.2	18.8ke-/lus 73dB 40dB	30@2592x1944 30@1280x960 30@640x480	1x1 1x1 1x1	0.1-1000 ms
C2CMOS05100KPB	5.1M/IMX335(C)	2.0x2.0	505mV	26@2592x1944	1x1	0.1-2000

CP205100B	1/2.8" (5.18x3.89)		70dB 43dB	26@1280x960 26@640x480	1x1 1x1	ms
C2CMOS03100KPA CP203100A	3.1M/Aptina(C) 1/2.5" (5.73x4.3)	2.8x2.8	18.8ke-/lus 73dB 40dB	30@2048x1536 30@1024x768	1x1 1x1	0.1-1000 ms
C2CMOS02100KPA CP202100A	2.1M/IMX307(C) 1/2.8" (5.73x4.3)	2.9x2.9	1300mV 73dB 43dB	38@1920x1080 38@960x540	1x1 1x1	0.1-2000 ms

#### OTHER HARDWARE CONFIGURATION

Spectral Range	380-650nm (with IR-filter), for Monochromatic Camera, AR Is Used
White Balance	Auto/Manual/ROI White Balance/Manual Temp Tint Adjustment/NA for Monochromatic Sensor
Color Rendering Technique	Ultra Fine Color Engine
Capture/Control SDK	Windows/Linux/macOS/Android Multiple Platform SDK(Native C/C++, C#/VB.NET, Python, Java, DirectShow, Twain, etc);
Recording System	Still Picture and Movie
Cooling System*	Natural

#### OPERATING ENVIRONMENT

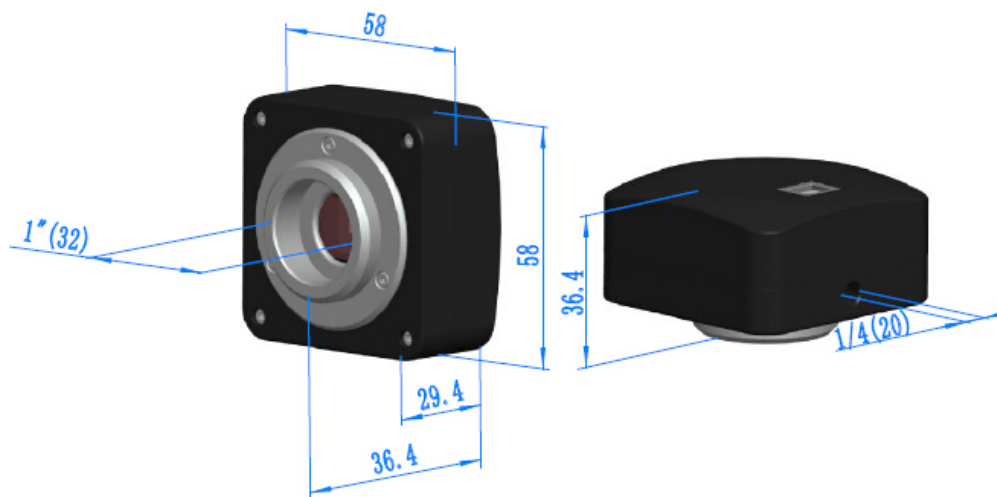
Operating Temperature	-10 °C~ 50 °C
Storage Temperature	-20 °C~ 60 °C
Operating Humidity	30~80%RH
Storage Humidity	10~60%RH
Power Supply	DC 5V over PC USB Port

#### SOFTWARE ENVIRONMENT

Operating System	Support Microsoft Window XP / Vista / 7 / 8 / 10(32 & 64 bit) OS X (Mac OS X), Linux
PC Requirements	CPU: Equal to Intel Core2 2.8GHz or Higher
	Memory: 2GB or More
	USB port: USB2.0 High-speed Port
	Display: 17" or Larger CD-ROM

## C2CMOS Series USB2.0 Camera Dimension

Installation drawings(Click to enlarge). The C2CMOS Series USB2.0 Camera body, made from tough, CNC alloy, ensures a heavy duty, work horse solution. The camera is designed with a high quality IR-CUT to protect the camera sensor. No moving parts included. This design ensures a rugged, robust solution with an increased lifespan when compared to other industrial camera solutions.



Drawing for C2CMOS Series USB2.0 Camera

Архангельск (8182)63-90-72  
Астана (7172)727-132  
Астрахань (8512)99-46-04  
Барнаул (3852)73-04-60  
Белгород (4722)40-23-64  
Брянск (4832)59-03-52  
Владивосток (423)249-28-31  
Волгоград (844)278-03-48  
Вологда (8172)26-41-59  
Воронеж (473)204-51-73  
Екатеринбург (343)384-55-89  
Иваново (4932)77-34-06

Ижевск (3412)26-03-58  
Иркутск (395)279-98-46  
Казань (843)206-01-48  
Калининград (4012)72-03-81  
Калуга (4842)92-23-67  
Кемерово (3842)65-04-62  
Киров (8332)68-02-04  
Краснодар (861)203-40-90  
Красноярск (391)204-63-61  
Курск (4712)77-13-04  
Липецк (4742)52-20-81  
Киргизия (996)312-96-26-47

Магнитогорск (3519)55-03-13  
Москва (495)268-04-70  
Мурманск (8152)59-64-93  
Набережные Челны (8552)20-53-41  
Нижний Новгород (831)429-08-12  
Новокузнецк (3843)20-46-81  
Новосибирск (383)227-86-73  
Омск (3812)21-46-40  
Орел (4862)44-53-42  
Оренбург (3532)37-68-04  
Пенза (8412)22-31-16  
Россия (495)268-04-70

Пермь (342)205-81-47  
Ростов-на-Дону (863)308-18-15  
Рязань (4912)46-61-64  
Самара (846)206-03-16  
Санкт-Петербург (812)309-46-40  
Саратов (845)249-38-78  
Севастополь (8692)22-31-93  
Симферополь (3652)67-13-56  
Смоленск (4812)29-41-54  
Сочи (862)225-72-31  
Ставрополь (8652)20-65-13  
Казахстан (772)734-952-31

Сургут (3462)77-98-35  
Тверь (4822)63-31-35  
Томск (3822)98-41-53  
Тула (4872)74-02-29  
Тюмень (3452)66-21-18  
Ульяновск (8422)24-23-59  
Уфа (347)229-48-12  
Хабаровск (4212)92-98-04  
Челябинск (351)202-03-61  
Череповец (8202)49-02-64  
Ярославль (4852)69-52-93

<https://toupstek.nt-rt.ru/> || [tuo@nt-rt.ru](mailto:tuo@nt-rt.ru)