

Архангельск (8182)63-90-72
 Астана (7172)727-132
 Астрахань (8512)99-46-04
 Барнаул (3852)73-04-60
 Белгород (4722)40-23-64
 Брянск (4832)59-03-52
 Владивосток (423)249-28-31
 Волгоград (844)278-03-48
 Вологда (8172)26-41-59
 Воронеж (473)204-51-73
 Екатеринбург (343)384-55-89
 Иваново (4932)77-34-06

Ижевск (3412)26-03-58
 Иркутск (395)279-98-46
 Казань (843)206-01-48
 Калининград (4012)72-03-81
 Калуга (4842)92-23-67
 Кемерово (3842)65-04-62
 Киров (8332)68-02-04
 Краснодар (861)203-40-90
 Красноярск (391)204-63-61
 Курск (4712)77-13-04
 Линьск (4742)52-20-81
 Киргизия (996)312-96-26-47

Магнитогорск (3519)55-03-13
 Москва (495)268-04-70
 Мурманск (8152)59-64-93
 Набережные Челны (8552)20-53-41
 Нижний Новгород (831)429-08-12
 Новокузнецк (3843)20-46-81
 Новосибирск (383)227-86-73
 Омск (3812)21-46-40
 Орел (4862)44-53-42
 Оренбург (3532)37-68-04
 Пенза (8412)22-31-16
 Россия (495)268-04-70

Пермь (342)205-81-47
 Ростов-на-Дону (863)308-18-15
 Рязань (4912)46-61-64
 Самара (846)206-03-16
 Санкт-Петербург (812)309-46-40
 Саратов (845)249-38-78
 Севастополь (8692)22-31-93
 Симферополь (3652)67-13-56
 Смоленск (4812)29-41-54
 Сочи (862)225-72-31
 Ставрополь (8652)20-65-13
 Казахстан (772)734-952-31

Сургут (3462)77-98-35
 Тверь (4822)63-31-35
 Томск (3822)98-41-53
 Тула (4872)74-02-29
 Тюмень (3452)66-21-18
 Ульяновск (8422)24-23-59
 Уфа (347)229-48-12
 Хабаровск (4212)92-98-04
 Челябинск (351)202-03-61
 Череповец (8202)49-02-64
 Ярославль (4852)69-52-93

<https://touptek.nt-rt.ru/> || tuo@nt-rt.ru

SPCMOS Series USB2.0 CMOS Eyepiece Camera with Reduction Lens



Microscope eyepiece camera with 23.2 diameter and compact size;

An extension of ToupeTek's SCMOS camera with fixed reduction lens to ensure the full field of view of the microscope from the eyepiece can be imaged to the CMOS sensor;

High-quality camera with Aptina CMOS sensor;

Auto white balance and auto-exposure; Brightness, contrast, chroma, and saturation can be adjusted;

High-speed USB2.0 interface and high frame rate video display keep the screen smooth without interruption;

With advanced video & image processing application ToupeView;

Windows/Linux/macOS/Android multiple platform SDK;

Specification

SPCMOS Series USB2.0 CMOS Eyepiece Camera with Reduction Lens(6)

ToupeTek SPCMOS is an extension of ToupeTek's SCMOS camera with fixed reduction lens to increase the field of view from the microscope eyepiece tube. The SPCMOS is still an economic version with simple and compact structure CMOS eyepiece camera. So here, the S means simple and compact, P means plus. USB2.0 is used as the data transfer interface.

The SPCMOS eyepiece camera comes with high-speed USB2.0 interface and high frame rate video display keep the screen smooth without interruption;

Also the SPCMOS comes with advanced video & image processing application ToupeView;

The SPCMOS can be widely used to transfer the mono or binocular student microscopes to digital microscope.

With 23.2 to 30mm or 23.2 to 30.75 convert ring, the SPCMOS camera can also change the stereo microscope to digital stereo microscope.

| Order Code | Sensor & Size(mm) | Pixel(μm) | G Sensitivity Dark Signal | FPS/Resolution | Binning | Exposure |
|-----------------------------|--------------------------------------|-----------|------------------------------|--|-------------------|------------|
| SPCMOS05100KPA SP505100A | 5.0M/Aptina(C) 1/2.5"(5.70x4.28) | 2.2x2.2 | NA | 2@2592x1944 3@2048x1536 5@1600x1200 7.5@1280x1024 | N/A | Auto |
| SPCMOS05100KPB SP505100B | 5.1M/IMX335(C) 1/2.8" (5.18x3.89) | 2.0x2.0 | 505mV 70dB 43dB | 26@2592x1944 26@1280x960 26@640x480 | 1x1 1x1 1x1 | 0.1-2000ms |
| SPCMOS03000KPA SP503000A | 3.0M/Aptina(C) 1/2.7" (4.51x3.38) | 2.2x2.2 | NA | 3@2048x1536 5@1600x1200 7.5@1280x1024 | N/A | Auto |
| SPCMOS02000KPA SP502000A | 2.0M/Aptina(C) 1/3.2"(4.48x3.36) | 2.8x2.8 | NA | 5@1600x1200 7.5@1280x1024 7.5@1280x960 20@800x600 | N/A | Auto |
| SPCMOS01300KPA SP501300A | 1.3M/Aptina(C) 1/3"(4.60x3.70) | 3.6x3.6 | NA | 7.5@1280x1024 12.5@1024x768 12.5@800x600 | N/A | Auto |
| SPCMOS00350KPA SP500350A | 0.35M/Aptina(C) 1/4"(3.58x2.69) | 5.6x5.6 | NA | 30@640x480 | N/A | Auto |

OTHER HARDWARE CONFIGURATION

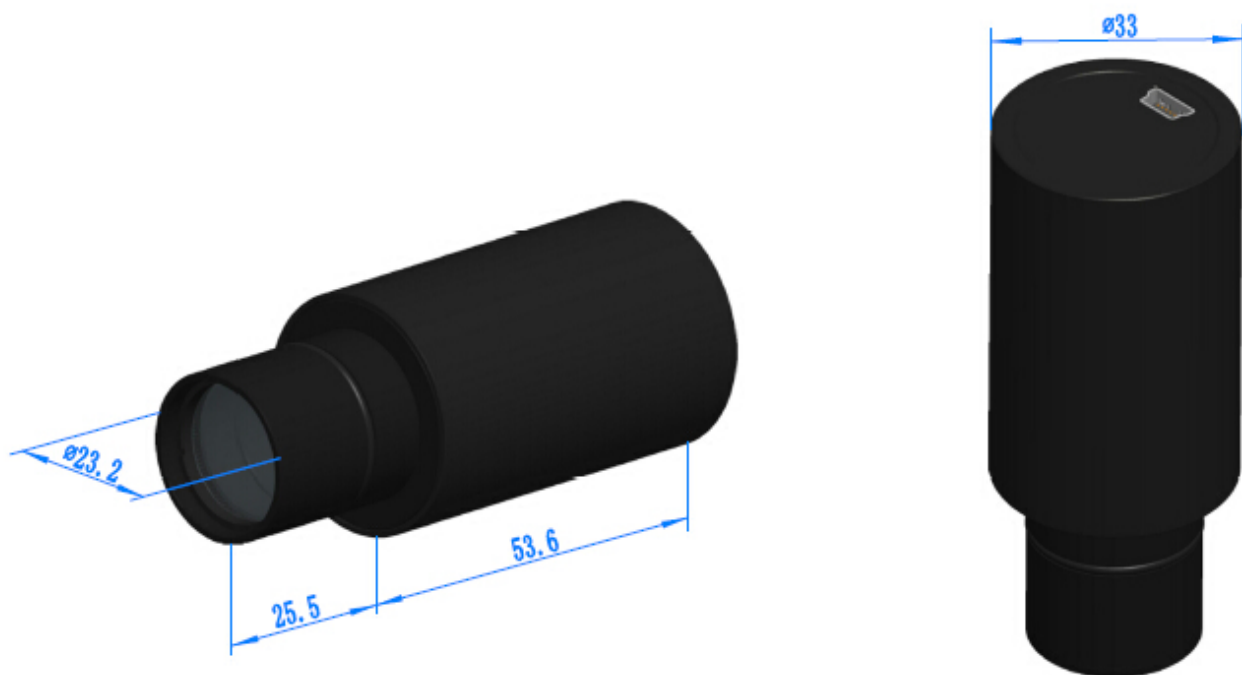
| | |
|---------------------------|---|
| Spectral Range | 380-650nm (with IR-filter), for Monochromatic Camera, AR Is Used |
| White Balance | ROI White Balance/ Manual Temp-Tint Adjustment |
| Color Rendering Technique | Ultra Fine Color Engine |
| Capture/Control SDK | Windows/Linux/macOS/Android Multiple Platform SDK(Native C/C++, C#/VB.NET, Python, Java, DirectShow, Twain, etc); |
| Recording System | Still Picture and Movie |
| Cooling System* | Natural |

OPERATING ENVIRONMENT

| | |
|-----------------------------|--|
| Operating Temperature | -10 °C~ 50 °C |
| Storage Temperature | -20 °C~ 60 °C |
| Operating Humidity | 30~80%RH |
| Storage Humidity | 10~60%RH |
| Power Supply | DC 5V over PC USB Port |
| SOFTWARE ENVIRONMENT | |
| Operating System | Support Microsoft Windows XP / Vista / 7 / 8 / 10(32 & 64 bit) OS X (Mac OS X), Linux |
| PC Requirements | CPU: Equal to Intel Core2 2.8GHz or Higher |
| | Memory: 2GB or More |
| | USB port: USB2.0 High-speed Port |
| | Display: 17" or Larger CD-ROM |

Dimension of SPCMOS Series Camera

Installation drawings(Click to enlarge). The SPCMOS Camera body, made from aluminum alloy blackening, ocular housing: Dia.27.2 X 79.1mm ensures a heavy duty, workhorse solution. The camera is designed with a high quality IR-CUT filter to filter the infrared light and protect the camera sensor. No moving parts included. This design ensures a rugged, robust solution with an increased lifespan when compared to other industrial camera solutions.



Dimension of SPCMOS Series Camera

Архангельск (8182)63-90-72
Астана (7172)727-132
Астрахань (8512)99-46-04
Барнаул (3852)73-04-60
Белгород (4722)40-23-64
Брянск (4832)59-03-52
Владивосток (423)249-28-31
Волгоград (844)278-03-48
Вологда (8172)26-41-59
Воронеж (473)204-51-73
Екатеринбург (343)384-55-89
Иваново (4932)77-34-06

Ижевск (3412)26-03-58
Иркутск (395)279-98-46
Казань (843)206-01-48
Калининград (4012)72-03-81
Калуга (4842)92-23-67
Кемерово (3842)65-04-62
Киров (8332)68-02-04
Краснодар (861)203-40-90
Красноярск (391)204-63-61
Курск (4712)77-13-04
Липецк (4742)52-20-81
Киргизия (996)312-96-26-47

Магнитогорск (3519)55-03-13
Москва (495)268-04-70
Мурманск (8152)59-64-93
Набережные Челны (8552)20-53-41
Нижний Новгород (831)429-08-12
Новокузнецк (3843)20-46-81
Новосибирск (383)227-86-73
Омск (3812)21-46-40
Орел (4862)44-53-42
Оренбург (3532)37-68-04
Пенза (8412)22-31-16
Россия (495)268-04-70

Пермь (342)205-81-47
Ростов-на-Дону (863)308-18-15
Рязань (4912)46-61-64
Самара (846)206-03-16
Санкт-Петербург (812)309-46-40
Саратов (845)249-38-78
Севастополь (8692)22-31-93
Симферополь (3652)67-13-56
Смоленск (4812)29-41-54
Сочи (862)225-72-31
Ставрополь (8652)20-65-13
Казахстан (772)734-952-31

Сургут (3462)77-98-35
Тверь (4822)63-31-35
Томск (3822)98-41-53
Тула (4872)74-02-29
Тюмень (3452)66-21-18
Ульяновск (8422)24-23-59
Уфа (347)229-48-12
Хабаровск (4212)92-98-04
Челябинск (351)202-03-61
Череповец (8202)49-02-64
Ярославль (4852)69-52-93

<https://toupstek.nt-rt.ru/> || tuo@nt-rt.ru