

Архангельск (8182)63-90-72  
 Астана (7172)727-132  
 Астрахань (8512)99-46-04  
 Барнаул (3852)73-04-60  
 Белгород (4722)40-23-64  
 Брянск (4832)59-03-52  
 Владивосток (423)249-28-31  
 Волгоград (844)278-03-48  
 Вологда (8172)26-41-59  
 Воронеж (473)204-51-73  
 Екатеринбург (343)384-55-89  
 Иваново (4932)77-34-06

Ижевск (3412)26-03-58  
 Иркутск (395)279-98-46  
 Казань (843)206-01-48  
 Калининград (4012)72-03-81  
 Калуга (4842)92-23-67  
 Кемерово (3842)65-04-62  
 Киров (8332)68-02-04  
 Краснодар (861)203-40-90  
 Красноярск (391)204-63-61  
 Курск (4712)77-13-04  
 Липецк (4742)52-20-81  
 Киргизия (996)312-96-26-47

Магнитогорск (3519)55-03-13  
 Москва (495)268-04-70  
 Мурманск (8152)59-64-93  
 Набережные Челны (8552)20-53-41  
 Нижний Новгород (831)429-08-12  
 Новокузнецк (3843)20-46-81  
 Новосибирск (383)227-86-73  
 Омск (3812)21-46-40  
 Орел (4862)44-53-42  
 Оренбург (3532)37-68-04  
 Пенза (8412)22-31-16  
 Россия (495)268-04-70

Пермь (342)205-81-47  
 Ростов-на-Дону (863)308-18-15  
 Рязань (4912)46-61-64  
 Самара (846)206-03-16  
 Санкт-Петербург (812)309-46-40  
 Саратов (845)249-38-78  
 Севастополь (8692)22-31-93  
 Симферополь (3652)67-13-56  
 Смоленск (4812)29-41-54  
 Сочи (862)225-72-31  
 Ставрополь (8652)20-65-13  
 Казахстан (772)734-952-31

Сургут (3462)77-98-35  
 Тверь (4822)63-31-35  
 Томск (3822)98-41-53  
 Тула (4872)74-02-29  
 Тюмень (3452)66-21-18  
 Ульяновск (8422)24-23-59  
 Уфа (347)229-48-12  
 Хабаровск (4212)92-98-04  
 Челябинск (351)202-03-61  
 Череповец (8202)49-02-64  
 Ярославль (4852)69-52-93

<https://toupTek.nt-rt.ru/> || [tuo@nt-rt.ru](mailto:tuo@nt-rt.ru)



### SCMOS Series USB2.0 Eyepiece Camera

Microscope eyepiece camera with 23.2 diameter and compact size;

Easy to extend to C or CS- Mount camera with high quality lens(optional);

High-quality camera with Aptina CMOS sensor;

Auto white balance and auto-exposure; Brightness, contrast, chroma, and saturation can be adjusted;

High-speed USB2.0 interface and high frame rate video display keep the screen smooth without interruption;

With advanced video & image processing application ToupView;

Custom programmable with SDK provided;



### Specification

### SCMOS Series USB2.0 CMOS Eyepiece Camera(19)

ToupTek SCMOS is an economic version with simple and compact structure CMOS eyepiece camera. So here, the S means simple and compact. USB2.0 is used as the data transfer interface.

Microscope eyepiece camera with 23.2 diameter and compact size;

The SCMOS eyepiece camera comes with high-speed USB2.0 interface and high frame rate video display keep the screen smooth without interruption;

Also the SCMOS comes with advanced video & image processing application ToupView;

The SCMOS can be widely used to transfer the mono or binocular student microscopes to digital microscope.

With 23.2 to 30mm or 23.2 to 30.75 convert ring, the SCMOS camera can also change the stereo microscope to digital stereo microscope.

Order Code	Sensor & Size(mm)	Pixel(μm)	G Sensitivity Dark Signal	FPS/Resolution	Binning	Exposure
The New SCMOS after Jan. 2020(10)						
SCMOS12000KPA TP512000A 01/04/2020	12M/IMX577(C) 1/2.3"(5.95x4.71)	1.55x1.55	250LSB 70dB 43dB	20@3840x3040 20@1920x1520 20@960x760	1x1 1x1 1x1	0.1~2000ms
SCMOS00921KPA TP500921A	0.92M/OV9732(C) 1/4" (3.888x2.208)	3x3	2.066V/lux-sec 72dB@8x gain 39dB	30@1280x720 30@640x360	1x1 1x1	0.1~650ms
SCMOS08300KPA TP508300A 01/03/2020	8.3M/IMX274(C) 1/2.5"(6.22x3.50)	1.62x1.62	236mV 70dB 43dB	30@3840x2160 30@1920x1080 30@1280x720 30@960x540	1x1 1x1 1x1	0.1~2000ms
SCMOS05100KPA TP505100A	5.1M/AR0521(C) 1/2.5"(5.70x4.28)	2.2x2.2	18.8ke-/lus 73dB	30@2592x1944 30@1280x960	1x1 1x1	0.1~1000ms

01/02/2020			40dB	30@640x480	1x1	
SCMOS05100KPB TP505100B 01/02/2020	5.1M/IMX335(C) 1/2.8"(5.18x3.89)	2.0x2.0	505mV 73dB 43dB	26@2592x1944 26@1280x960 26@640x480	1x1 1x1 1x1	0.1-2000ms
SCMOS03100KPA TP503100A 01/02/2020	3.1M/Aptina(C) 1/2.5"(5.73x4.30)	2.8x2.8	18.8ke-/lus 73dB 40dB	30@2048x1536 30@1024x768	1x1 1x1 1x1	0.1-1000ms
SCMOS02100KPA TP502100A 01/02/2020	2.1M/IMX307(C) 1/2.8"(5.73x4.30)	2.9x2.9	1300mV 73dB 43dB	38@1920x1080 38@960x540	1x1 1x1 1x1	0.1-2000ms
SCMOS08300KPB TP508300B	8.3M/IMX415(C) 1/2.8" (5.57x3.13)	1.45x1.45	300mV 70dB 44dB	30@3840x2160 30@1920x1080 30@1280x720 30@960x540	1x1 1x1 1x1 1x1	0.1-2000ms
SCMOS02100KPB TP502100B	2.1M/SC2332(C) 1/3" (5.18x2.92)	2.7x2.7	4510mV/lux-s 74dB 38.5dB	38@1920x1080 38@960x540	1x1 1x1 1x1	0.1-2000ms
SCMOS01301KPA TP501301A(20220829)	1.3M/Special (C) 1/3" (5.18x2.92)	3.41x3.41	4510mV/lux-s 74dB 38.5dB	30@1520x856 30@760x428	1x1 1x1	0.1-2000ms
<b>The SCMOS before Dec. 2019(9)</b>						
SCMOS05000KPA TP505000A	5.0M/Aptina(C) 1/2.5"(5.70x4.28)	2.2x2.2	NA	2@2592x1944 3@2048x1536 5@1600x1200 7.5@1280x1024	N/A	Auto
SCMOS05000KPB TP505000B(New)	5.0M/SC5033(C) 1/2.7"(5.18x3.89)	2.0x2.0	2.0V/lux-sec 64dB 35dB	20@2592x1944 20@2048x1536 20@1600x1200 30@800x600	N/A	Auto
SCMOS03000KPA TP503000A	3M/Aptina(C) 1/2.7" (4.506x3.38)	2.2x2.2	NA	3 @2048x1536 5 @1600x1200 7.5 @1280x1024	N/A	Auto
SCMOS03000KPB TP503000B(New)	3M/SmartSens(C) 1/2.7" (4.10x3.07)	2.0x2.0	2.0V/lux-sec 64dB 35dB	20 @2048x1536 20 @1600x1200 30 @ 800x 600	N/A	Auto
SCMOS02000KPA TP502000A	2M/Aptina(C) 1/3.2"(4.48x3.36)	2.8x2.8	NA	5@1600x1200 7.5@1280x1024 7.5@1280x960 20@800x600	N/A	Auto
SCMOS02000KPB TP502000B(New)	2M/OV2710(C) 1/2.7"(5.76x3.24)	3.0x3.0	3.3V/Lux-sec 69dB 39dB	25 @1920x1080 30 @1280x1024 30 @1280x720	N/A	Auto
SCMOS01300KPA TP501300A	1.3M/Aptina(C) 1/3"(4.60x3.70)	3.6x3.6	NA	7.5@1280x1024 12.5@1024x768 12.5@800x600	N/A	Auto
SCMOS00920KPA TP500920(New)	0.92M/BG0703(C) 1/2.7"(5.76x3.24)	4.5x4.5	5.8V/Lux-sec 65dB 43dB	25 @1280x720 25 @640x480	N/A	Auto
SCMOS00350KPA TP500350A	0.35M/Aptina(C) 1/4"(3.58x2.69)	5.6x5.6	NA	30@640x480	N/A	Auto

SCMOS05000KPB and SCMOS03000KPB have fast speed than SCMOS05000KPA and SCMOS03000KPA C: Color; M: Monochrome;

#### OTHER HARDWARE CONFIGURATION

Spectral Range	380-650nm (with IR-filter)
White balance	Auto/ROI/Manual White Balance(New Model) Auto(Products before 2020)
Color Rendering Technique	NA
Capture/Control SDK	Windows/Linux/macOS/Android Multiple Platform SDK(Native C/C++, C#/VB.NET, Python, Java, DirectShow, Twain, etc);
Recording System	Still Picture and Movie
Cooling System*	Natural

#### OPERATING ENVIRONMENT

Operating Temperature	-10°C~ 50°C
Storage Temperature	-20°C~ 60°C
Operating Humidity	30-80%RH
Storage Humidity	10-60%RH
Power Supply	DC 5V over PC USB Port

#### SOFTWARE ENVIRONMENT

Operating System	Support Microsoft Windows XP / Vista / 7 / 8 / 10 (32 & 64 bit) OS X (Mac OS X), Linux
------------------	---

## PC Requirements

CPU: Equal to Intel Core2 2.8GHz or Higher

Memory: 2GB or More

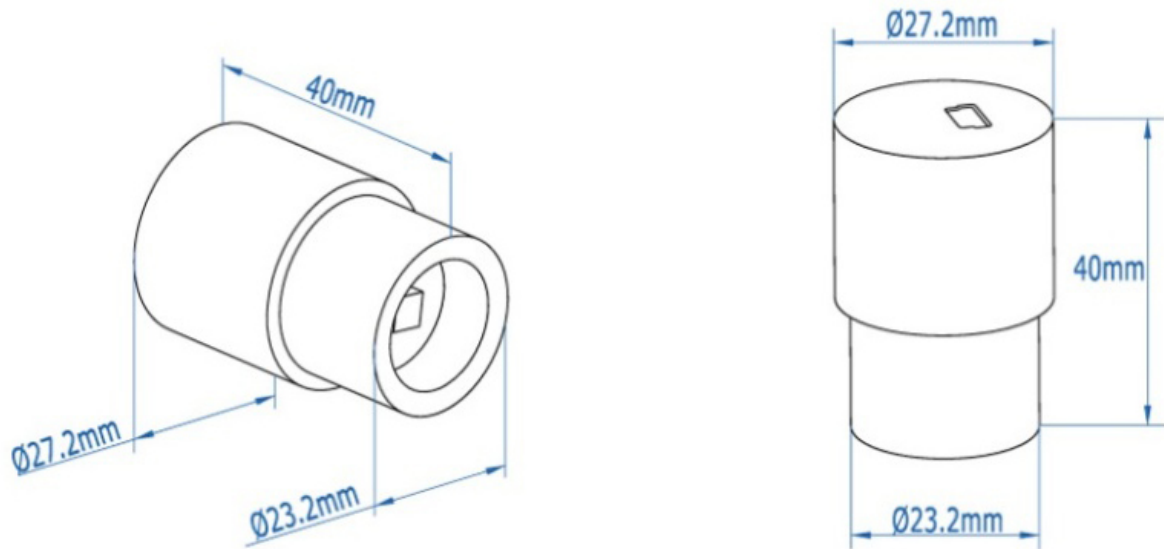
USB port: USB2.0 High-speed Port

Display: 17" or Larger

CD-ROM

## Dimension of SCMOS Series Camera

Installation drawings(Click to enlarge). The SCMOS Camera body, made from aluminum alloy blackening, ocular using: Dia.27.2 X 40mm ensures a heavy duty, workhorse solution. The camera is designed with a high quality IR-CUT filter to filter the infrared light and protect the camera sensor. No moving parts included. This design ensures a rugged, robust solution with an increased lifespan when compared to other industrial camera solutions.



Dimension of SCMOS Series Camera

## SCMOS Series Camera's Potential Application Configuration

Архангельск (8182)63-90-72  
Астана (7172)727-132  
Астрахань (8512)99-46-04  
Барнаул (3852)73-04-60  
Белгород (4722)40-23-64  
Брянск (4832)59-03-52  
Владивосток (423)249-28-31  
Волгоград (844)278-03-48  
Вологда (8172)26-41-59  
Воронеж (473)204-51-73  
Екатеринбург (343)384-55-89  
Иваново (4932)77-34-06

Ижевск (3412)26-03-58  
Иркутск (395)279-98-46  
Казань (843)206-01-48  
Калининград (4012)72-03-81  
Калуга (4842)92-23-67  
Кемерово (3842)65-04-62  
Киров (8332)68-02-04  
Краснодар (861)203-40-90  
Красноярск (391)204-63-61  
Курск (4712)77-13-04  
Липецк (4742)52-20-81  
Киргизия (996)312-96-26-47

Магнитогорск (3519)55-03-13  
Москва (495)268-04-70  
Мурманск (8152)59-64-93  
Набережные Челны (8552)20-53-41  
Нижегород (831)429-08-12  
Новокузнецк (3843)20-46-81  
Новосибирск (383)227-86-73  
Омск (3812)21-46-40  
Орел (4862)44-53-42  
Оренбург (3532)37-68-04  
Пенза (8412)22-31-16  
Россия (495)268-04-70

Пермь (342)205-81-47  
Ростов-на-Дону (863)308-18-15  
Рязань (4912)46-61-64  
Самара (846)206-03-16  
Санкт-Петербург (812)309-46-40  
Саратов (845)249-38-78  
Севастополь (8692)22-31-93  
Симферополь (3652)67-13-56  
Смоленск (4812)29-41-54  
Сочи (862)225-72-31  
Ставрополь (8652)20-65-13  
Казахстан (772)734-952-31

Сургут (3462)77-98-35  
Тверь (4822)63-31-35  
Томск (3822)98-41-53  
Тула (4872)74-02-29  
Тюмень (3452)66-21-18  
Ульяновск (8422)24-23-59  
Уфа (347)229-48-12  
Хабаровск (4212)92-98-04  
Челябинск (351)202-03-61  
Череповец (8202)49-02-64  
Ярославль (4852)69-52-93

<https://toupstek.nt-rt.ru/> || [tuo@nt-rt.ru](mailto:tuo@nt-rt.ru)