

Архангельск (8182)63-90-72
 Астана (7172)727-132
 Астрахань (8512)99-46-04
 Барнаул (3852)73-04-60
 Белгород (4722)40-23-64
 Брянск (4832)59-03-52
 Владивосток (423)249-28-31
 Волгоград (844)278-03-48
 Вологда (8172)26-41-59
 Воронеж (473)204-51-73
 Екатеринбург (343)384-55-89
 Иваново (4932)77-34-06

Ижевск (3412)26-03-58
 Иркутск (395)279-98-46
 Казань (843)206-01-48
 Калининград (4012)72-03-81
 Калуга (4842)92-23-67
 Кемерово (3842)65-04-62
 Киров (8332)68-02-04
 Краснодар (861)203-40-90
 Красноярск (391)204-63-61
 Курск (4712)77-13-04
 Липецк (4742)52-20-81
 Киргизия (996)312-96-26-47

Магнитогорск (3519)55-03-13
 Москва (495)268-04-70
 Мурманск (8152)59-64-93
 Набережные Челны (8552)20-53-41
 Нижний Новгород (831)429-08-12
 Новокузнецк (3843)20-46-81
 Новосибирск (383)227-86-73
 Омск (3812)21-46-40
 Орел (4862)44-53-42
 Оренбург (3532)37-68-04
 Пенза (8412)22-31-16
 Россия (495)268-04-70

Пермь (342)205-81-47
 Ростов-на-Дону (863)308-18-15
 Рязань (4912)46-61-64
 Самара (846)206-03-16
 Санкт-Петербург (812)309-46-40
 Саратов (845)249-38-78
 Севастополь (8692)22-31-93
 Симферополь (3652)67-13-56
 Смоленск (4812)29-41-54
 Сочи (862)225-72-31
 Ставрополь (8652)20-65-13
 Казахстан (772)734-952-31

Сургут (3462)77-98-35
 Тверь (4822)63-31-35
 Томск (3822)98-41-53
 Тула (4872)74-02-29
 Тюмень (3452)66-21-18
 Ульяновск (8422)24-23-59
 Уфа (347)229-48-12
 Хабаровск (4212)92-98-04
 Челябинск (351)202-03-61
 Череповец (8202)49-02-64
 Ярославль (4852)69-52-93

<https://toupTek.nt-rt.ru/> || tuo@nt-rt.ru

C3CMOS Series C-mount USB3.0 CMOS Camera

- Standard C-Mount camera with Sony or OnSemi CMOS sensor;
- With hardware resolution among 3.5M to 10M;
- Compact CNC aluminum alloy housing;
- USB3.0 5Gbps interface ensuring high speed data transmission;
- Ultra-Fine color engine with perfect color reproduction capability;
- With advanced video & image processing application ToupView;
- Windows/Linux/macOS/Android multiple platform SDK;



Specification

C3CMOS Series C-mount USB3.0 CMOS Camera(5)

ToupTek C3CMOS camera is compact & high high performance USB3.0 CMOS camera and it adopts Sony or OnSemi CMOS sensor as the image-picking device and USB3.0 is used as the data transfer interface.

C3CMOS hardware resolutions range from 3.5MP to 10MP and come with the compact CNC aluminum alloy housing.

C3CMOS comes with advanced video & image processing application ToupView; Providing Windows/Linux/macOS/Android multiple platform SDK(Native C/C++, C#/VB.NET, Python, Java, DirectShow, Twain, etc);

The C3CMOS can be widely used in brightfield light environment and microscope image capture and analysis with higher frame rate.

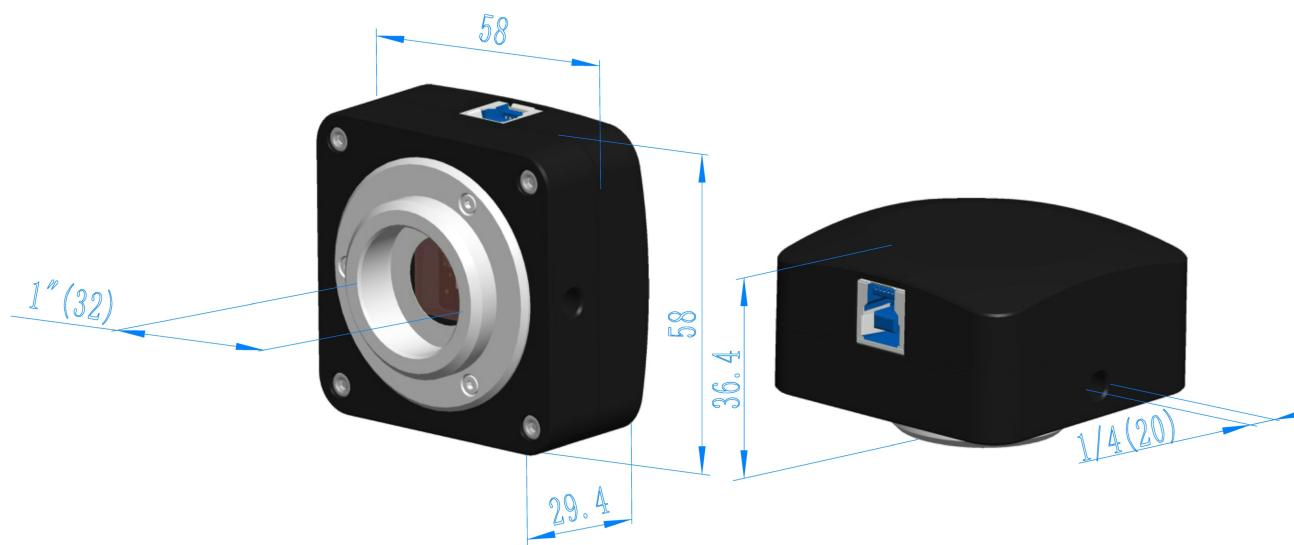
Order Code	Sensor & Size(mm)	Pixel(μm)	G Sensitivity Dark Signal	FPS/Resolution	Binning	Exposure
C3CMOS12000KPA CP112000A(2022)	12M/IMX577(C) 1/2.1" (5.95x4.71)	1.55x1.55	250mv with 1/30s 0.25mv with 1/30s	7.5@3840x3040 43@1920x1516 122@960x758	1x1 2x2 4x4	0.1ms~2000ms
C3CMOS10000KPA CP110001A(2022)	10M/IMX577(C) 1/2.3" (5.68x4.26)	1.55x1.55	250mv with 1/30s 0.25mv with 1/30s	8.5@3664x2748 49@1832x1374 137@912x686	1x1 2x2 4x4	0.1ms~2000ms
C3CMOS05100KPA CP105100A(2022)	5.1M/AR0521(C) 1/2.5" (5.70x4.28)	2.2x2.2	18.8ke-/lux 73dB 40dB	15.5@2592x1944 49.5@1296x972 97.5@648x486	1x1 2x2 4x4	0.1ms~2000ms
C3CMOS05100KPB CP105100B(2020)	5.1M/IMX335(C) 1/2.8" (5.18x3.89)	2.0x2.0	505mV 70dB 43dB	25@2592x1944 40@1296x972	1x1 2x2	0.1ms~2000ms
C3CMOS03500KPA CP103500A(2020)	3.5M/SC4236(C) 1/2.6" (5.76x3.84)	2.5x2.5	3.0v/lux-sec 72dB 37dB	30@2304x1536 30@1152x768	1x1 2x2	0.1ms~2000ms
C3CMOS10000KPA CP110001A	10M/MT9J003(C) 1/2.3" (5.98x4.58)	1.67x1.67	0.31v/lux-sec 65.2dB	7.2@3664x2748 23.8@1832x1374	1x1 2x2	0.1ms~2000ms

20190518			34dB	77.4@912x686	4x4	
C3CMOS05100KPA	5.1M/MT9P006(C)		1.76v/lux-sec	14.0@2592x1944	1x1	
CP105100A	1/2.5" (5.70x4.28)	2.2x2.2	67.74dB	29.4@1280x960	2x2	0.1ms~2000ms
20181030			38.5dB	103.1@640x480	4x4	

OTHER HARDWARE CONFIGURATION	
Spectral Range	380-650nm (with IR-filter), for Monochromatic Camera, AR Is Used
White Balance	ROI White Balance/ Manual Temp-Tint Adjustment
Color Rendering Technique	Ultra Fine Color Engine
Capture/Control SDK	Windows/Linux/macOS/Android Multiple Platform SDK(Native C/C++, C#/VB.NET, Python, Java, DirectShow, Twain, etc);
Recording System	Still Picture and Movie
Cooling System*	Natural
OPERATING ENVIRONMENT	
Operating Temperature	-10 °C~ 50 °C
Storage Temperature	-20 °C~ 60 °C
Operating Humidity	30~80%RH
Storage Humidity	10~60%RH
Power Supply	DC 5V over PC USB Port
SOFTWARE ENVIRONMENT	
Operating System	Support Microsoft Windows XP / Vista / 7 / 8 / 10(32 & 64 bit) OS X (Mac OS X), Linux
PC Requirements	CPU: Equal to Intel Core2 2.8GHz or Higher
	Memory: 2GB or More
	USB port: USB2.0 High-speed Port
	Display: 17" or Larger CD-ROM

Dimension of C3CMOS Series Camera

Installation drawings(Click to enlarge). The C3CMOS body, made from tough, CNC alloy, ensures a heavy duty, workhorse solution. The camera is designed with a high quality IR-CUT to protect the camera sensor. No moving parts included. This design ensures a rugged, robust solution with an increased lifespan when compared to other industrial camera solutions.



Dimension of C3CMOS Series Camera

Архангельск (8182)63-90-72
Астана (7172)727-132
Астрахань (8512)99-46-04
Барнаул (3852)73-04-60
Белгород (4722)40-23-64
Брянск (4832)59-03-52
Владивосток (423)249-28-31
Волгоград (844)278-03-48
Вологда (8172)26-41-59
Воронеж (473)204-51-73
Екатеринбург (343)384-55-89
Иваново (4932)77-34-06

Ижевск (3412)26-03-58
Иркутск (395)279-98-46
Казань (843)206-01-48
Калининград (4012)72-03-81
Калуга (4842)92-23-67
Кемерово (3842)65-04-62
Киров (8332)68-02-04
Краснодар (861)203-40-90
Красноярск (391)204-63-61
Курск (4712)77-13-04
Липецк (4742)52-20-81
Киргизия (996)312-96-26-47

Магнитогорск (3519)55-03-13
Москва (495)268-04-70
Мурманск (8152)59-64-93
Набережные Челны (8552)20-53-41
Нижний Новгород (831)429-08-12
Новокузнецк (3843)20-46-81
Новосибирск (383)227-86-73
Омск (3812)21-46-40
Орел (4862)44-53-42
Оренбург (3532)37-68-04
Пенза (8412)22-31-16
Россия (495)268-04-70

Пермь (342)205-81-47
Ростов-на-Дону (863)308-18-15
Рязань (4912)46-61-64
Самара (846)206-03-16
Санкт-Петербург (812)309-46-40
Саратов (845)249-38-78
Севастополь (8692)22-31-93
Симферополь (3652)67-13-56
Смоленск (4812)29-41-54
Сочи (862)225-72-31
Ставрополь (8652)20-65-13
Казахстан (772)734-952-31

Сургут (3462)77-98-35
Тверь (4822)63-31-35
Томск (3822)98-41-53
Тула (4872)74-02-29
Тюмень (3452)66-21-18
Ульяновск (8422)24-23-59
Уфа (347)229-48-12
Хабаровск (4212)92-98-04
Челябинск (351)202-03-61
Череповец (8202)49-02-64
Ярославль (4852)69-52-93

<https://toupstek.nt-rt.ru/> || tuo@nt-rt.ru