

Архангельск (8182)63-90-72
 Астана (7172)727-132
 Астрахань (8512)99-46-04
 Барнаул (3852)73-04-60
 Белгород (4722)40-23-64
 Брянск (4832)59-03-52
 Владивосток (423)249-28-31
 Волгоград (844)278-03-48
 Вологда (8172)26-41-59
 Воронеж (473)204-51-73
 Екатеринбург (343)384-55-89
 Иваново (4932)77-34-06

Ижевск (3412)26-03-58
 Иркутск (395)279-98-46
 Казань (843)206-01-48
 Калининград (4012)72-03-81
 Калуга (4842)92-23-67
 Кемерово (3842)65-04-62
 Киров (8332)68-02-04
 Краснодар (861)203-40-90
 Красноярск (391)204-63-61
 Курск (4712)77-13-04
 Липецк (4742)52-20-81
 Киргизия (996)312-96-26-47

Магнитогорск (3519)55-03-13
 Москва (495)268-04-70
 Мурманск (8152)59-64-93
 Набережные Челны (8552)20-53-41
 Нижний Новгород (831)429-08-12
 Новокузнецк (3843)20-46-81
 Новосибирск (383)227-86-73
 Омск (3812)21-46-40
 Орел (4862)44-53-42
 Оренбург (3532)37-68-04
 Пенза (8412)22-31-16
 Россия (495)268-04-70

Пермь (342)205-81-47
 Ростов-на-Дону (863)308-18-15
 Рязань (4912)46-61-64
 Самара (846)206-03-16
 Санкт-Петербург (812)309-46-40
 Саратов (845)249-38-78
 Севастополь (8692)22-31-93
 Симферополь (3652)67-13-56
 Смоленск (4812)29-41-54
 Сочи (862)225-72-31
 Ставрополь (8652)20-65-13
 Казахстан (772)734-952-31

Сургут (3462)77-98-35
 Тверь (4822)63-31-35
 Томск (3822)98-41-53
 Тула (4872)74-02-29
 Тюмень (3452)66-21-18
 Ульяновск (8422)24-23-59
 Уфа (347)229-48-12
 Хабаровск (4212)92-98-04
 Челябинск (351)202-03-61
 Череповец (8202)49-02-64
 Ярославль (4852)69-52-93

<https://toupstek.nt-rt.ru/> || tuo@nt-rt.ru

ICMOS Series C-mount USB2.0 CMOS Camera

Standard C-Mount camera with Aptina or OnSemi CMOS sensor;

Dimensions: 29x29x29 mm excluding lens holder, without optics (metal case);

8-pin Hirose HR25-7TR-8PA GPIO connector for trigger, strobe (Optional);

USB 2.0 interface with screw locks for camera control, data, and power;

Ultra-Fine color engine with perfect color reproduction capability;

With advanced video & image processing application ToupView;

Windows/Linux/macOS/Android multiple platform SDK;



Specification

ICMOS Series C-mount USB2.0 CMOS Camera (4)

ICMOS: ToupTek ICMOS camera is an industrial CMOS camera and it adopts ultra-high performance CMOS sensor as the image-picking device. USB2.0 is used as the data transfer interface. Dimensions: 29x29x29 mm excluding lens holder, without optics (metal case) is realized to obey the industrial camera standard.

A 8-pin Hirose HR25-7TR-8PA GPIO connector for trigger, strobe(Optional);

Further, the ICMOS comes with advanced video & image processing application ToupView and Providing Windows/Linux/macOS/Android multiple platform SDK(Native C/C++, C#/VB.NET, Python, Java, DirectShow, Twain, etc);

The ICMOS can be widely used in machine vision and on-line inspection. .

Order Code	Sensor & Size(mm)	Pixel(μm)	G Sensitivity Dark Signal	FPS/Resolution	Binning	Exposure
ICMOS14000KPA IP614000A	14M/MT9F002(C) 1/2.3"(5.73x4.60)	1.4x1.4	0.724v/lux-sec 65.3dB 35.5dB	2.7@4096x3288 10@2048x1644 35@1024x822	1x1, 2x2, 4x4	0.4ms-2000ms
ICMOS10000KPA IP610000A	10M/MT9J003(C) 1/2.3"(5.98x4.59)	1.67x1.67	0.31v/lux-sec 65.2dB 34dB	3.7@3584x2748 13@1792x1374 35@896x684	1x1, 2x2, 4x4	0.4ms-2000ms
ICMOS03100KPA IP603100A	3.1M/MT9T001(C) 1/2"(6.55x4.92)	3.2x3.2	1.0 V/lux-sec 61dB 43dB	12@2048x1536 43@1024x768 83@680x510	1x1, 2x2, 3x3	0.128ms-2000ms
ICMOS01300KMA IM601300A	1.3M/MT9M001(M) 1/2" (6.66x5.32)	5.2x5.2	2.1 V/lux-sec 68.2dB 45dB	30@1280x1024	1x1	0.64ms-1035.6ms

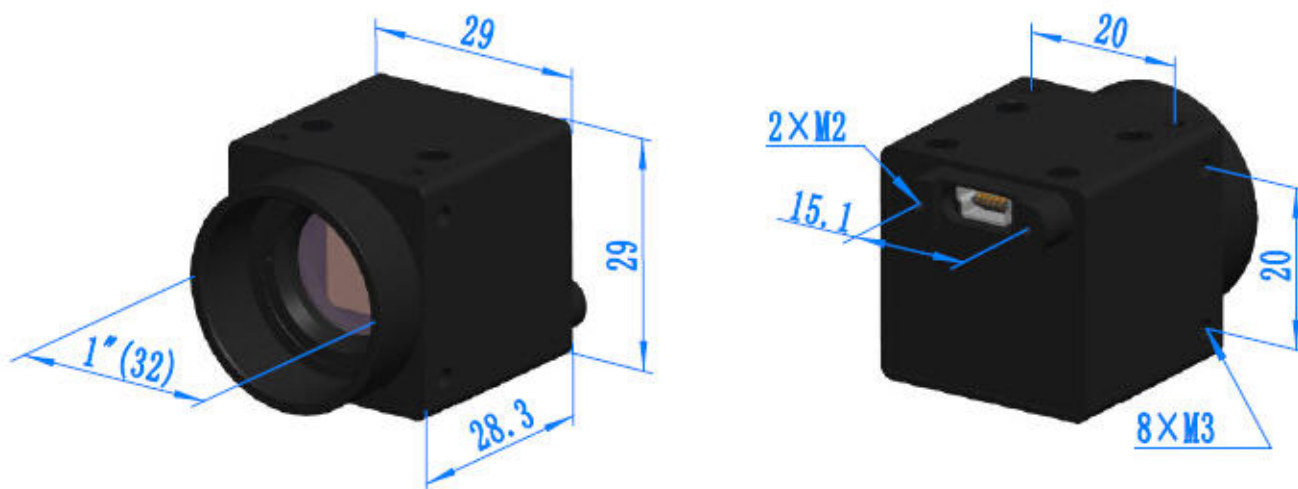
OTHER HARDWARE CONFIGURATION

Body Size 29mmX29mmX29mm(Without Connections)

Spectral Range	380-650nm (with IR-filter)
White Balance	ROI White Balance/ Manual Temp-Tint Adjustment
Color Rendering Technique	Ultra-Fine Color Engine
Capture/Control SDK	Windows/Linux/macOS/Android Multiple Platform SDK(Native C/C++, C#/VB.NET, Python, Java, DirectShow, Twain, etc);
Recording System	Still Picture and Movie
Cooling System*	Natural
USB Cable Connection	USB Cable Including Locking Screw
User IO	IO with Optocoupler Isolation(Trigger and Flash)
OPERATING MODES	
Continuous Capture Mode	Video Mode
Single Capture Mode	Hard Trigger or Soft Trigger
OPERATING ENVIRONMENT	
Operating Temperature	-10°C - 50°C
Storage Temperature	-20°C - 60°C
Operating Humidity	30-80%RH
Storage Humidity	10-60%RH
Power Supply	DC 5V over PC USB Port
SOFTWARE ENVIRONMENT	
Operating System	Support Microsoft Windows XP / Vista / 7 / 8 / 10 (32 & 64 bit) OS X (Mac OS X), Linux
PC Requirements	CPU: Equal to Intel Core2 2.8GHz or Higher
	Memory: 2GB or More
	USB port: USB2.0 High-speed Port
	Display: 17" or Larger CD-ROM

ICMOS Series USB2.0 CMOS Camera Dimension

Installation drawings(Click to enlarge). The ICMOS series USB2.0 CMOS camera body, made from tough, aluminium alloy, ensures a heavy duty, workhorse solution. The camera is designed with a high quality IR-CUT to protect the camera sensor. No moving parts included. This design ensures a rugged, robust solution with an increased lifespan when compared to other industrial camera solutions.



Dimension for ICMOS Series C-mount USB2.0 CMOS Camera



ICMOS+Lens



ICMOS+Microscope

Архангельск (8182)63-90-72
 Астана (7172)727-132
 Астрахань (8512)99-46-04
 Барнаул (3852)73-04-60
 Белгород (4722)40-23-64
 Брянск (4832)59-03-52
 Владивосток (423)249-28-31
 Волгоград (844)278-03-48
 Вологда (8172)26-41-59
 Воронеж (473)204-51-73
 Екатеринбург (343)384-55-89
 Иваново (4932)77-34-06

Ижевск (3412)26-03-58
 Иркутск (395)279-98-46
 Казань (843)206-01-48
 Калининград (4012)72-03-81
 Калуга (4842)92-23-67
 Кемерово (3842)65-04-62
 Киров (8332)68-02-04
 Краснодар (861)203-40-90
 Красноярск (391)204-63-61
 Курск (4712)77-13-04
 Липецк (4742)52-20-81
 Киргизия (996)312-96-26-47

Магнитогорск (3519)55-03-13
 Москва (495)268-04-70
 Мурманск (8152)59-64-93
 Набережные Челны (8552)20-53-41
 Нижний Новгород (831)429-08-12
 Новокузнецк (3843)20-46-81
 Новосибирск (383)227-86-73
 Омск (3812)21-46-40
 Орел (4862)44-53-42
 Оренбург (3532)37-68-04
 Пенза (8412)22-31-16
 Россия (495)268-04-70

Пермь (342)205-81-47
 Ростов-на-Дону (863)308-18-15
 Рязань (4912)46-61-64
 Самара (846)206-03-16
 Санкт-Петербург (812)309-46-40
 Саратов (845)249-38-78
 Севастополь (8692)22-31-93
 Симферополь (3652)67-13-56
 Смоленск (4812)29-41-54
 Сочи (862)225-72-31
 Ставрополь (8652)20-65-13
 Казахстан (772)734-952-31

Сургут (3462)77-98-35
 Тверь (4822)63-31-35
 Томск (3822)98-41-53
 Тула (4872)74-02-29
 Тюмень (3452)66-21-18
 Ульяновск (8422)24-23-59
 Уфа (347)229-48-12
 Хабаровск (4212)92-98-04
 Челябинск (351)202-03-61
 Череповец (8202)49-02-64
 Ярославль (4852)69-52-93

<https://toupstek.nt-rt.ru/> || tuo@nt-rt.ru